

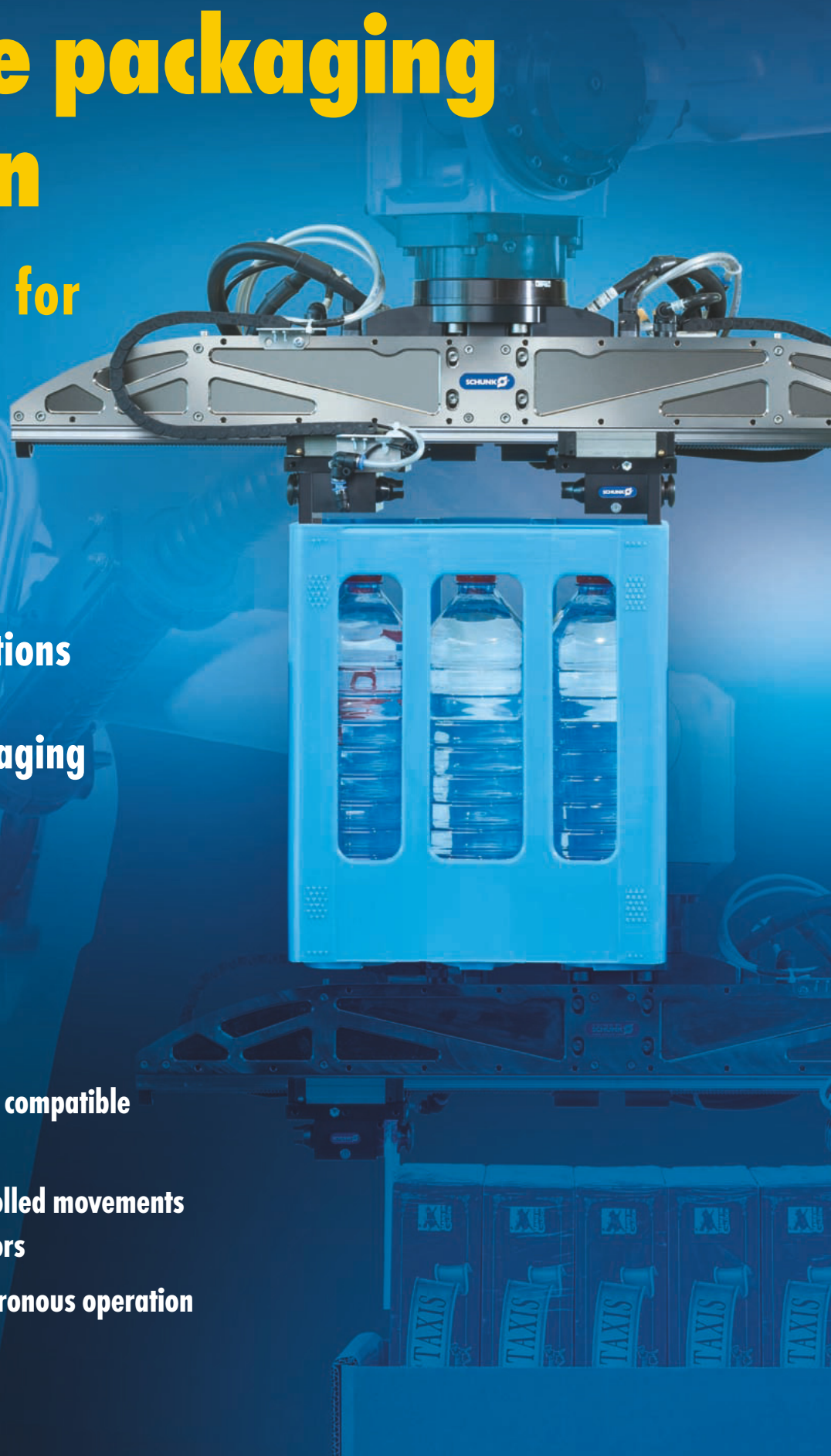
Flexible packaging solution

One interface for the gripper and robot

Suitable for packaging and palletizing applications

Servo-electric packaging gripper LEG 760

- Modular drive concept is compatible to all robot controls
- Force and position controlled movements due to servoelectric motors
- Synchronous and asynchronous operation

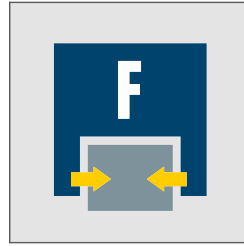




Size
760



Weight
8.8 kg .. 11.6 kg



Gripping force
300 N .. 1500 N



Stroke per jaw
281 mm



Force-fit gripping
7.5 kg .. 20 kg

Basic technical data

Asynchronous version with two motors

Description	LEG760-2-ABBBSDM281	LEG760-2-BOSCHMSK030B	LEG 760-2-ElauSH055	LEG 760-2-FanucB05	LEG760-2-KUKAMG8
ID	0308011	0308013	0308015	0308012	0308014
Compatible to robot control	ABB	BOSCH	Elau	FANUC	KUKA
Stroke per jaw [mm]	281	281	281	281	281
Constant gripping force [N]	1340	840	1500	1360	1260
Gripping force [N]	300 - 1500	300 - 1500	300 - 1500	300 - 1500	300 - 1500
Weight with motors [kg]	11.0	10.8	10.8	10.4	11.6
Opening time/Closing time (281 mm) [s]	1.5	1.5	1.5	1.5	1.5

Synchronous version with one motor

Description	LEG760-1-ABBBSM0200	LEG760-1-BOSCHMSK030B	LEG 760-1-ElauSH055	LEG 760-1-FanucB05	LEG760-1-KUKAMG8
ID	0308001	0308003	0308005	0308002	0308004
Constant gripping force [N]	670	420	840	680	630
Gripping force [N]	300 - 1050	300 - 1050	300 - 1050	300 - 1050	300 - 1050
Weight with motor [kg]	9.1	9.0	9.2	8.8	9.4

ⓘ Motors are not included.

Product features

Modular drive concept

integration of different motors possible.

Synchronous operation with one drive, asynchronous operation with two motors

Lightweight design

With FEM and Topology analysis optimized support structure

Ball screw drive

for high positioning accuracy and repeatability

Adapter to robot interface ISO 9409

sizes 100/125/160/200 available

Feed-through to base jaws

available

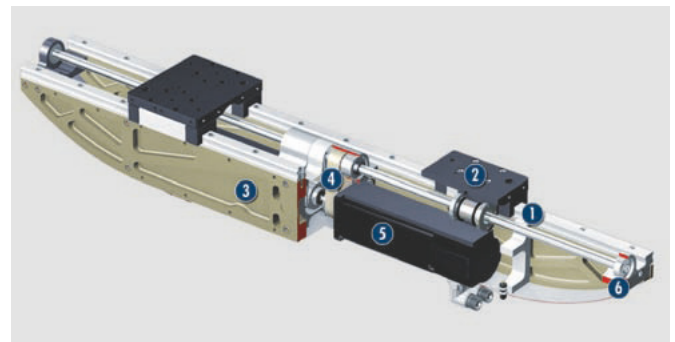
Finger change system

available as option

Bellow

available for system protection

Sectional diagram



- ❶ **Guiding**
Exact gripping due to precise and robust guidings
- ❷ **Base jaw**
For mounting workpiece specific fingers
- ❸ **Housing**
Weight-reduced due to finite element and topology investigations
- ❹ **Kinematics**
High load and precision due to ball-screw drive
- ❺ **Motor area**
Room to install different motors
- ❻ **Sensors**
As option: Sensors for set-up operation

Warranty
24 months