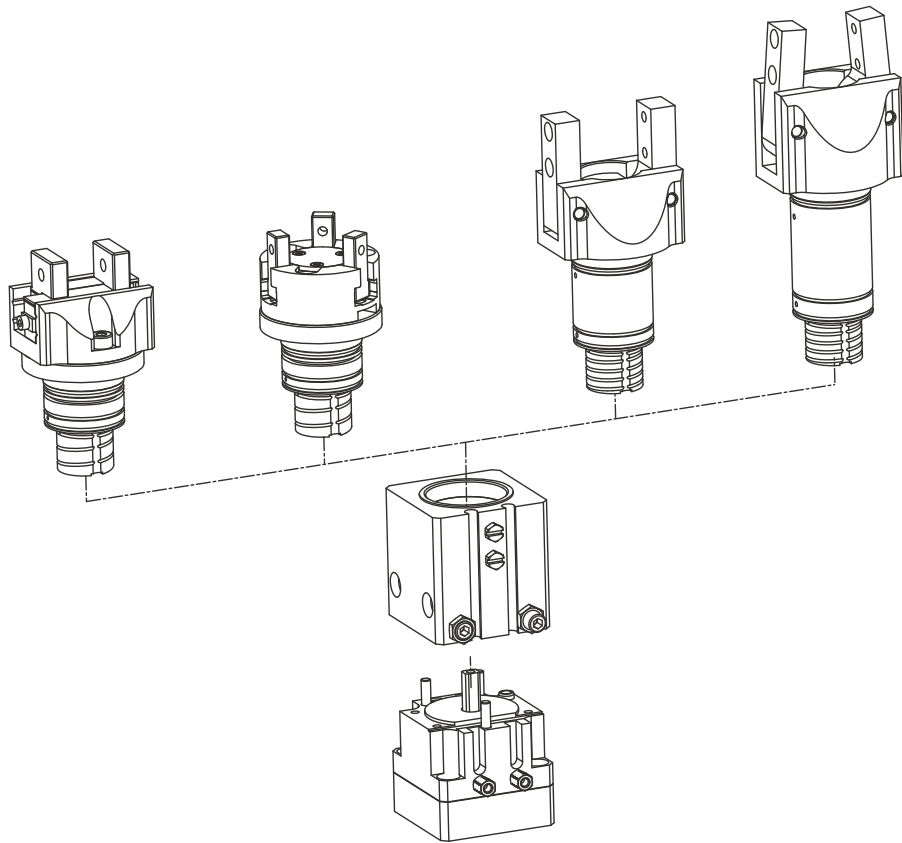


Modular Design



Versions of the series

Type

Gripper type

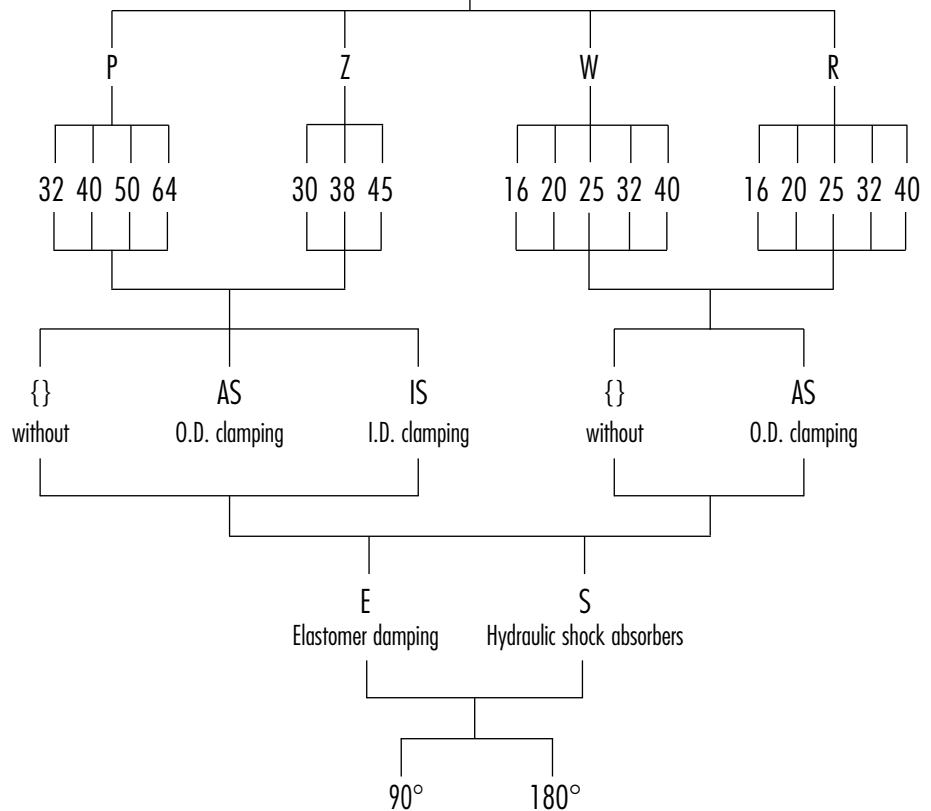
Size

Gripping force safety device

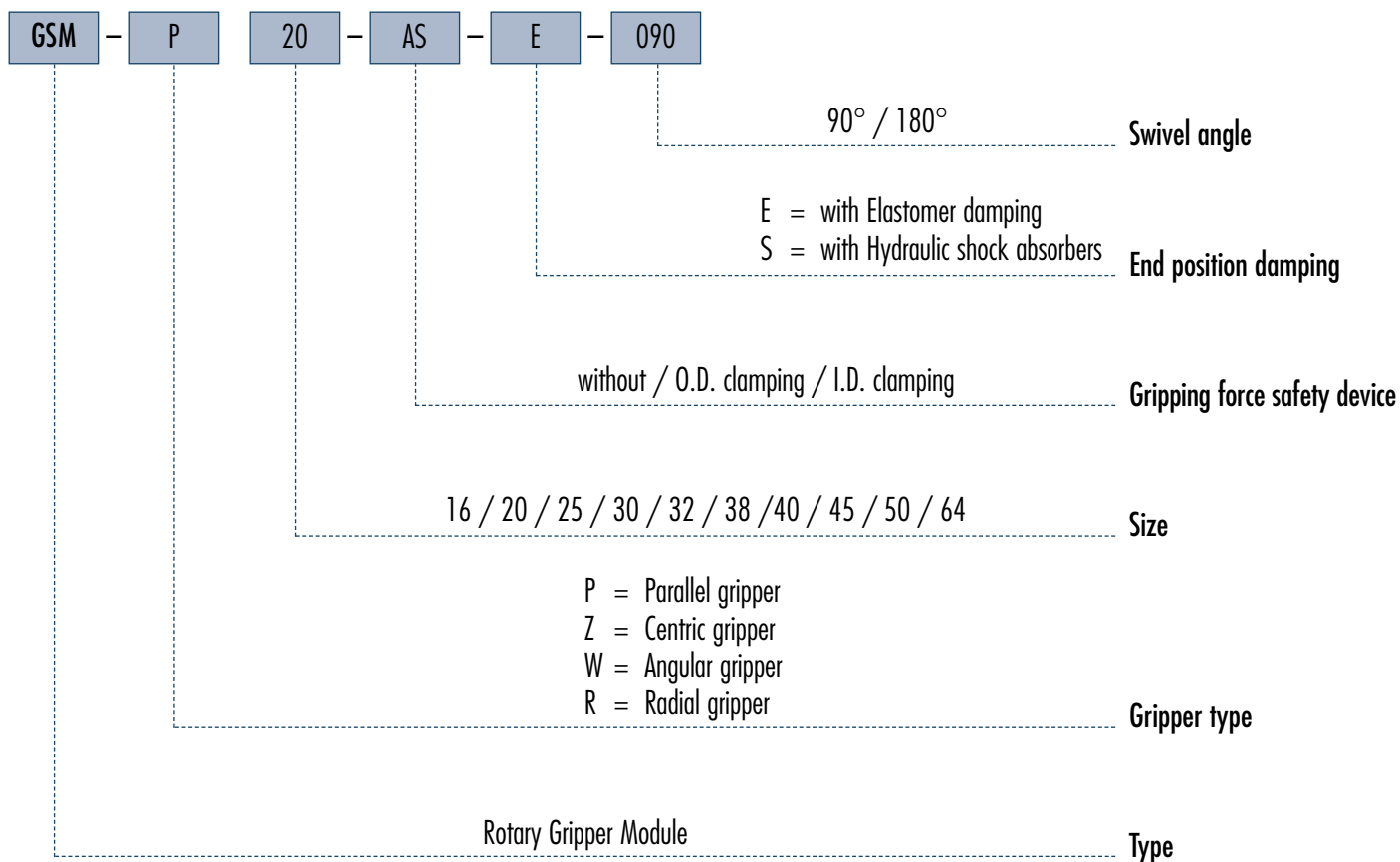
End position damping

Swivel angle

GSM

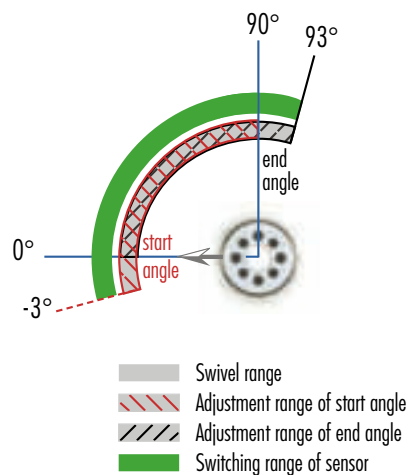


How to order



End stop adjustability and switching angle of sensor

- in the case of 90° units



- in the case of 180° units

