

# Assembly systems



# ASSEMBLY SYSTEMS

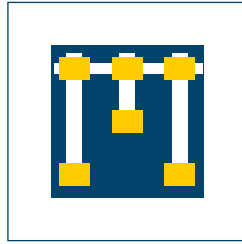
| Series                        | Size    | Page |
|-------------------------------|---------|------|
| <b>Assembly systems</b>       |         |      |
| Pillar profile modular system |         |      |
| Pillars                       | Ø 20 mm | 390  |
| Pillars                       | Ø 35 mm | 394  |
| Pillars                       | Ø 55 mm | 398  |

# Assembly systems

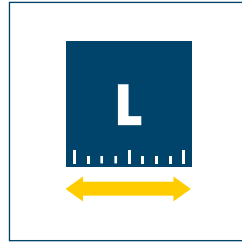
## Assembly systems · Pillar profile modular system



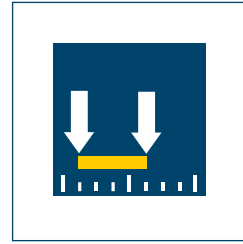
**Sizes**  
020 .. 055



**Clamping elements**  
max. 9

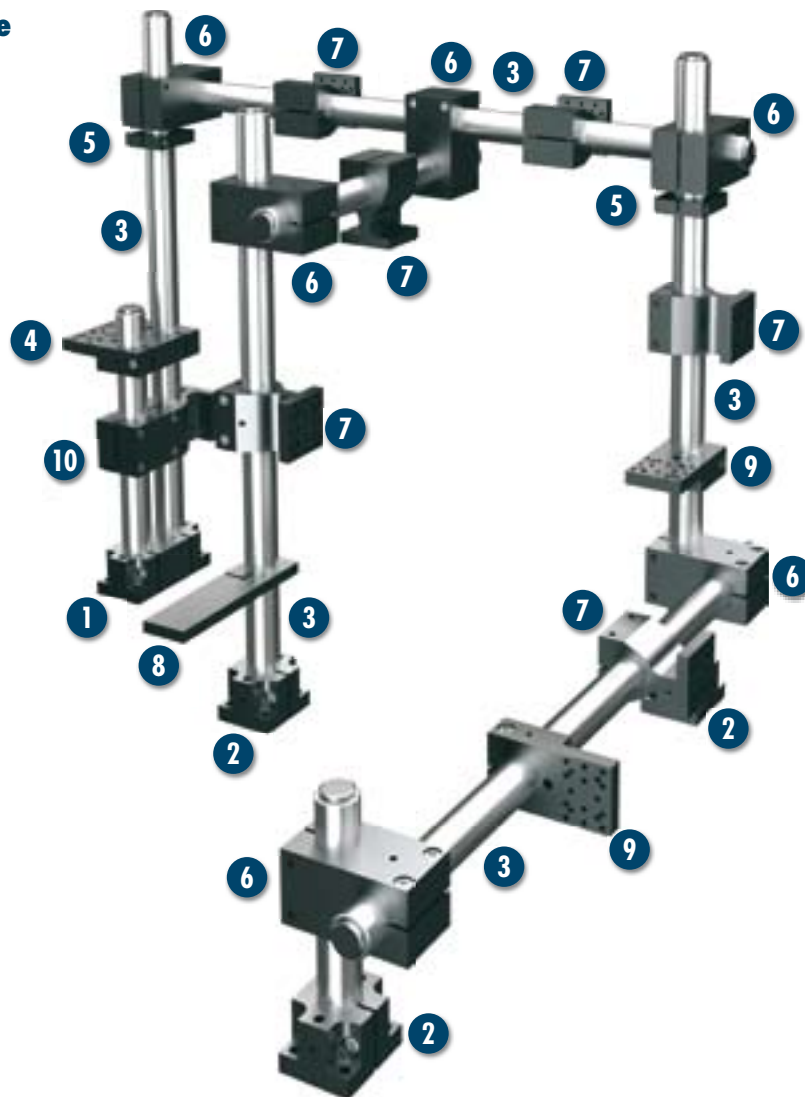


**Pillar length**  
max. 3000 mm



**Shape and positional tolerances**  
0.05

### Application example



Versatile pillar profile modular system, Ø 35 mm, with horizontal and vertical mounting plates which can be used for the GEMOTEC system or for other assemblies

- |  |  |
|--|--|
| <b>1</b> Double socket, SOD 035                      | <b>6</b> Cross connector, KVB 035                    |
| <b>2</b> Single base support, SOE 035                | <b>7</b> Single mounting plate, vertical, APEV 035   |
| <b>3</b> Hollow pillar, SLH 035-...                  | <b>8</b> Mounting plate, MPL 035                     |
| <b>4</b> Double mounting plate, horizontal, APDH 035 | <b>9</b> Single mounting plate, horizontal, APEH 035 |
| <b>5</b> Set collar, STR 035                         | <b>10</b> Double mounting plate, vertical, APDV 035  |

### Assembly system

Pillars, hard-chromium plated, ground

### Area of application

For the assembly of GEMOTEC modular system units as well as for structures of all types in clean or contaminated environments. The many clamping elements permit numerous combinations of pillars and mounting plates.

### Advantages – your benefits

#### Steel pillars

For a high degree of rigidity and low-vibration movements

#### Precise shape and positional tolerances

For high accuracy even for long pillars

#### Several pillar diameters

For minimum interfering contours of the entire system at optimal rigidity

#### Many clamping elements

Standardized, with a large variety of combinations possible

#### Assembly and centering bore holes

Reproducible, precisely angled assembly of the elements



### General information about the series

#### Pillars

Steel, hard-chromium plated, ground

#### Sockets, mounting plates

Aluminum, anodized

#### Scope of delivery

Including attachment screws

#### Warranty

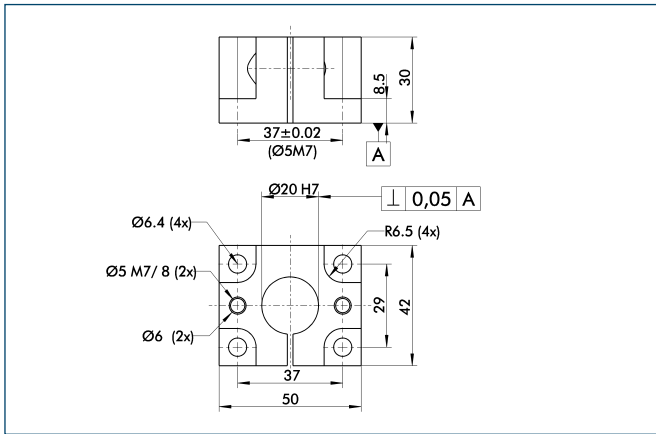
24 months

For production reasons, the colors may vary from those shown in the catalog.

# Pillar diameter, 20 mm

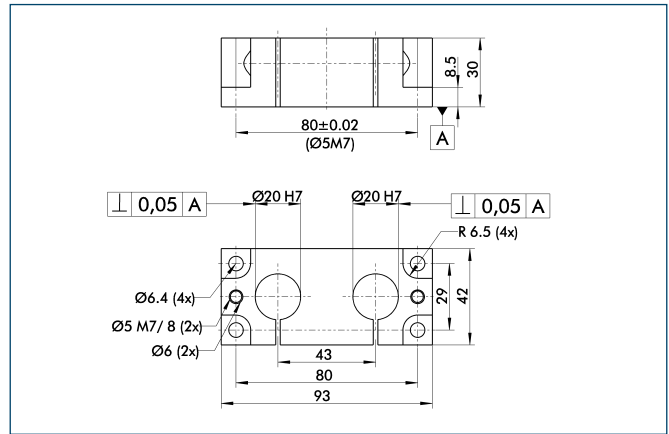
## Assembly systems · Pillar profile modular system

### Single base support, SOE 020



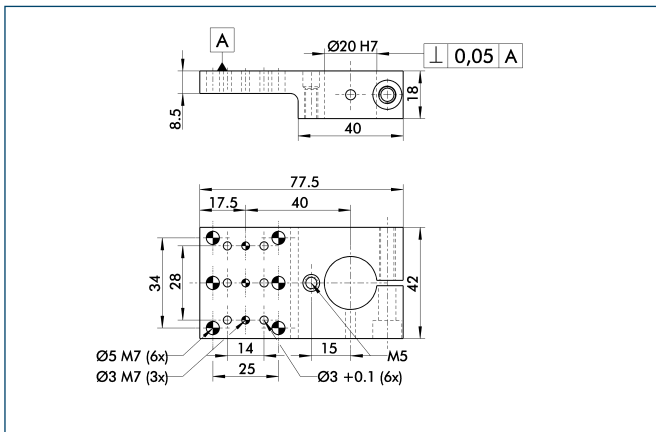
| Designation | ID      | Material |
|-------------|---------|----------|
| SOE 020     | 0313611 | Aluminum |

### Double socket, SOD 020



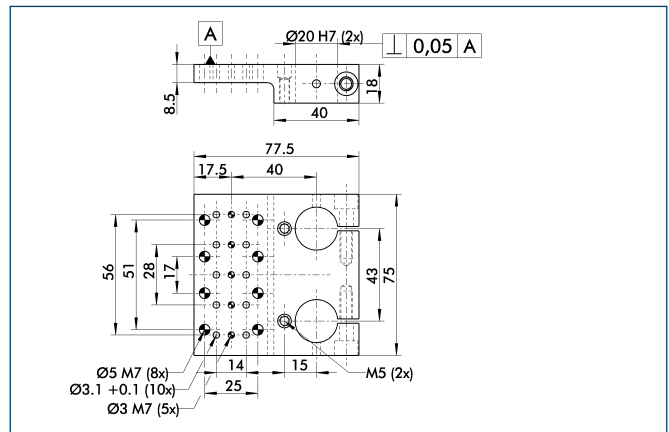
| Designation | ID      | Material |
|-------------|---------|----------|
| SOD 020     | 0313612 | Aluminum |

### Single mounting plate, horizontal, APEH 020



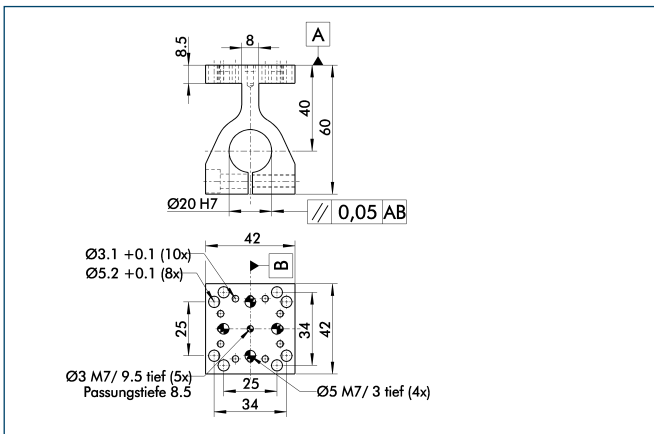
| Designation | ID      | Material |
|-------------|---------|----------|
| APEH 020    | 0313613 | Aluminum |

### Double mounting plate, horizontal, APDH 020



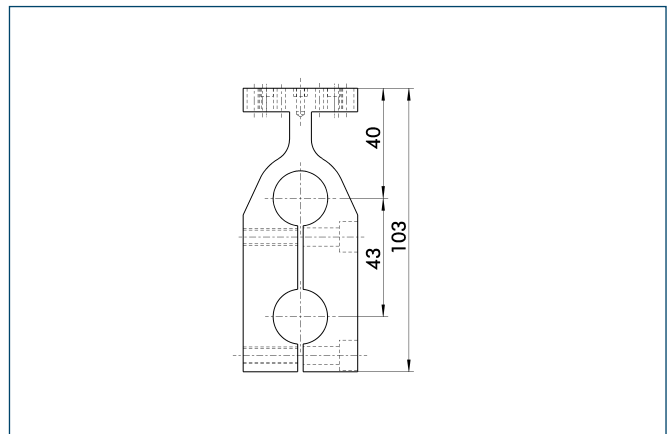
| Designation | ID      | Material |
|-------------|---------|----------|
| APDH 020    | 0313614 | Aluminum |

### Single mounting plate, vertical, APEV 020



| Designation | ID      | Material |
|-------------|---------|----------|
| APEV 020    | 0313615 | Aluminum |

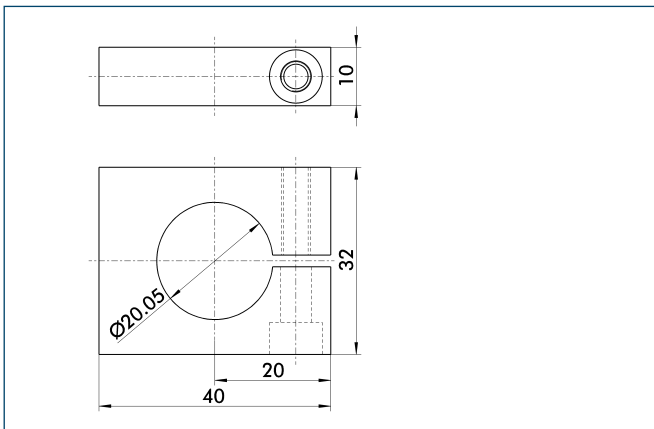
### Double mounting plate, vertical, APDV 020



Missing dimensions: see APEV 020

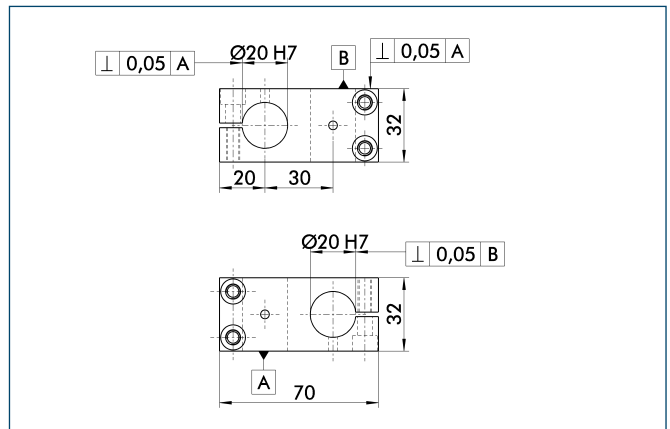
| Designation | ID      | Material |
|-------------|---------|----------|
| APDV 020    | 0313616 | Aluminum |

### Set collar, STR 020



| Designation | ID      | Material |
|-------------|---------|----------|
| STR 020     | 0313617 | Aluminum |

### Cross connector, KVB 020

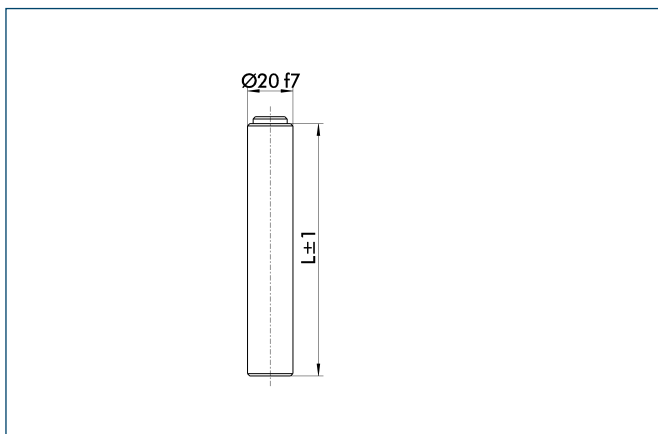


| Designation | ID      | Material |
|-------------|---------|----------|
| KVB 020     | 0313618 | Aluminum |

# Pillar diameter, 20 mm

## Assembly systems · Pillar profile modular system

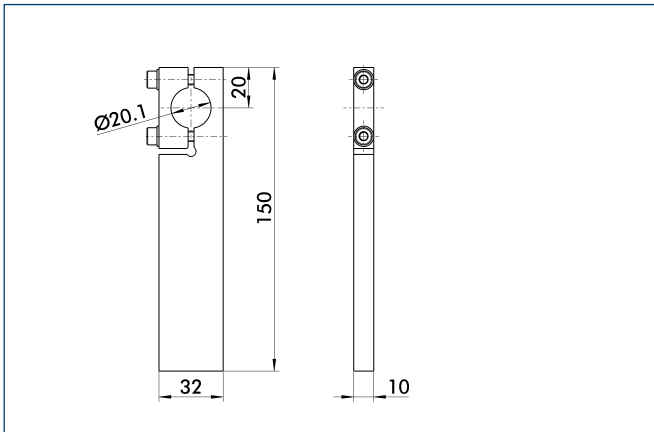
### Hollow pillar, SLH 020



| Designation  | ID      | Material | L<br>[mm] |
|--------------|---------|----------|-----------|
| SLH-020-0100 | 0313620 | Steel    | 100       |
| SLH-020-0110 | 0313621 | Steel    | 110       |
| SLH-020-0120 | 0313622 | Steel    | 120       |
| SLH-020-0130 | 0313623 | Steel    | 130       |
| SLH-020-0140 | 0313624 | Steel    | 140       |
| SLH-020-0150 | 0313625 | Steel    | 150       |
| SLH-020-0160 | 0313626 | Steel    | 160       |
| SLH-020-0170 | 0313627 | Steel    | 170       |
| SLH-020-0180 | 0313628 | Steel    | 180       |
| SLH-020-0190 | 0313629 | Steel    | 190       |
| SLH-020-0200 | 0313630 | Steel    | 200       |
| SLH-020-0210 | 0313631 | Steel    | 210       |
| SLH-020-0220 | 0313632 | Steel    | 220       |
| SLH-020-0230 | 0313633 | Steel    | 230       |
| SLH-020-0240 | 0313634 | Steel    | 240       |
| SLH-020-0250 | 0313635 | Steel    | 250       |
| SLH-020-0260 | 0313636 | Steel    | 260       |
| SLH-020-0270 | 0313637 | Steel    | 270       |
| SLH-020-0280 | 0313638 | Steel    | 280       |
| SLH-020-0290 | 0313639 | Steel    | 290       |
| SLH-020-0300 | 0313640 | Steel    | 300       |
| SLH-020-0310 | 0313641 | Steel    | 310       |
| SLH-020-0320 | 0313642 | Steel    | 320       |
| SLH-020-0330 | 0313643 | Steel    | 330       |
| SLH-020-0340 | 0313644 | Steel    | 340       |
| SLH-020-0350 | 0313645 | Steel    | 350       |
| SLH-020-0360 | 0313646 | Steel    | 360       |
| SLH-020-0370 | 0313647 | Steel    | 370       |
| SLH-020-0380 | 0313648 | Steel    | 380       |
| SLH-020-0390 | 0313649 | Steel    | 390       |
| SLH-020-0400 | 0313650 | Steel    | 400       |
| SLH-020-0410 | 0313651 | Steel    | 410       |
| SLH-020-0420 | 0313652 | Steel    | 420       |
| SLH-020-0430 | 0313653 | Steel    | 430       |
| SLH-020-0440 | 0313654 | Steel    | 440       |
| SLH-020-0450 | 0313655 | Steel    | 450       |
| SLH-020-0460 | 0313656 | Steel    | 460       |

| Designation  | ID      | Material | L<br>[mm] |
|--------------|---------|----------|-----------|
| SLH-020-0470 | 0313657 | Steel    | 470       |
| SLH-020-0480 | 0313658 | Steel    | 480       |
| SLH-020-0490 | 0313659 | Steel    | 490       |
| SLH-020-0500 | 0313660 | Steel    | 500       |

### Mounting plate, MPL 020



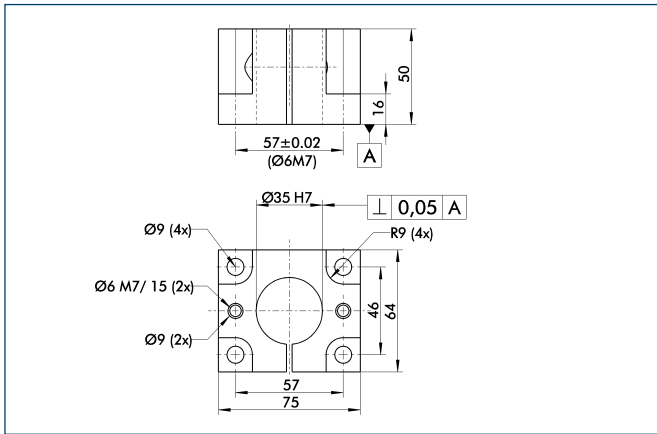
| Designation | ID      | Material |
|-------------|---------|----------|
| MPL 020     | 0313619 | Aluminum |



# Pillar diameter, 35 mm

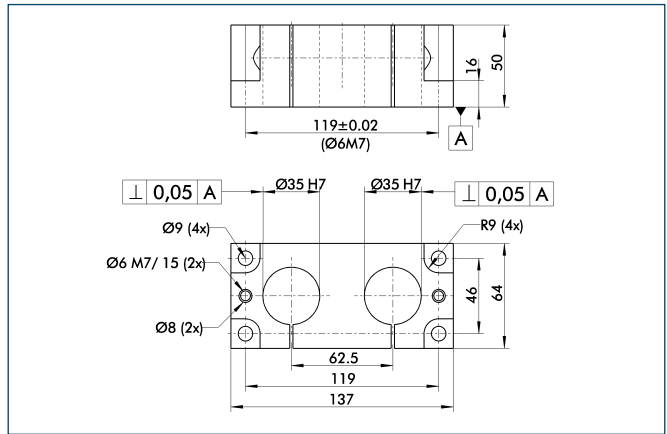
## Assembly systems · Pillar profile modular system

### Single base support, SOE 035



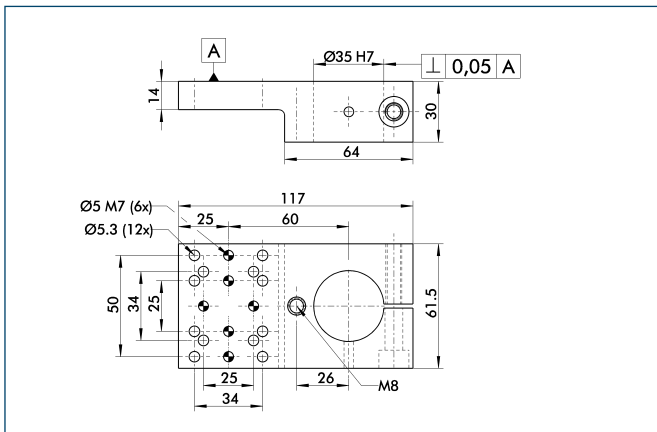
| Designation | ID      | Material |
|-------------|---------|----------|
| SOE 035     | 0313891 | Aluminum |

### Double socket, SOD 035



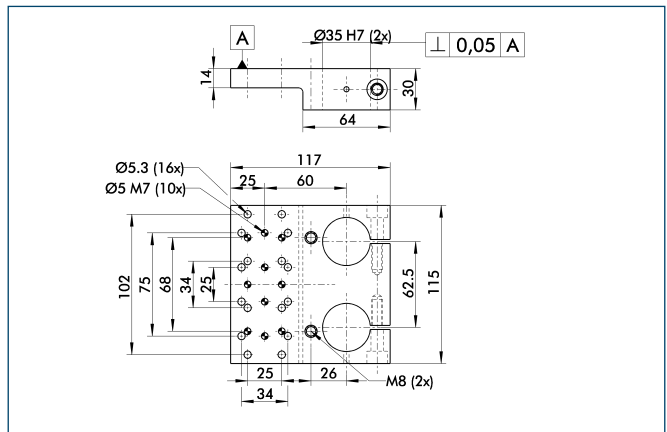
| Designation | ID      | Material |
|-------------|---------|----------|
| SOD 035     | 0313892 | Aluminum |

### Single mounting plate, horizontal, APEH 035



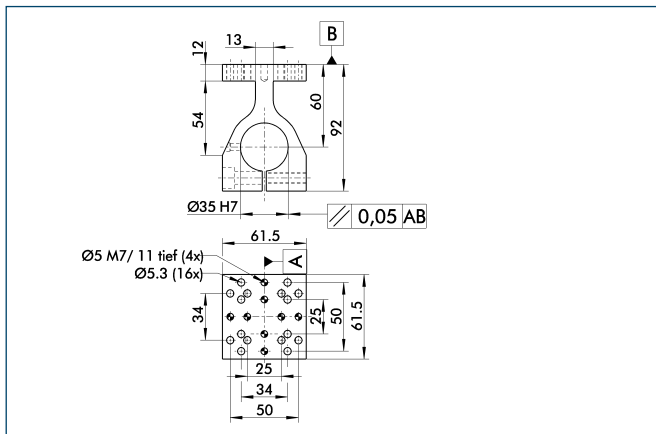
| Designation | ID      | Material |
|-------------|---------|----------|
| APEH 035    | 0313893 | Aluminum |

### Double mounting plate, horizontal, APDH 035



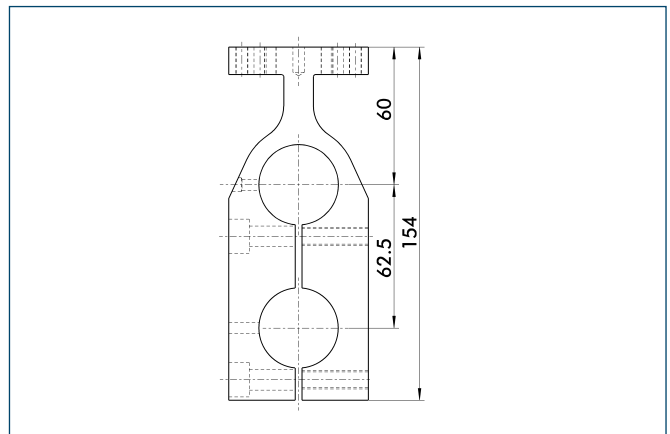
| Designation | ID      | Material |
|-------------|---------|----------|
| APDH 035    | 0313894 | Aluminum |

### Single mounting plate, vertical, APEV 035



| Designation | ID      | Material |
|-------------|---------|----------|
| APEV 035    | 0313895 | Aluminum |

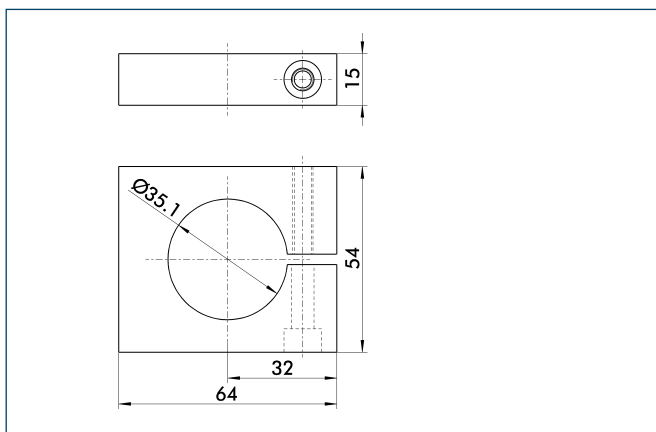
### Double mounting plate, vertical, APDV 035



Missing dimensions: see APEV 035

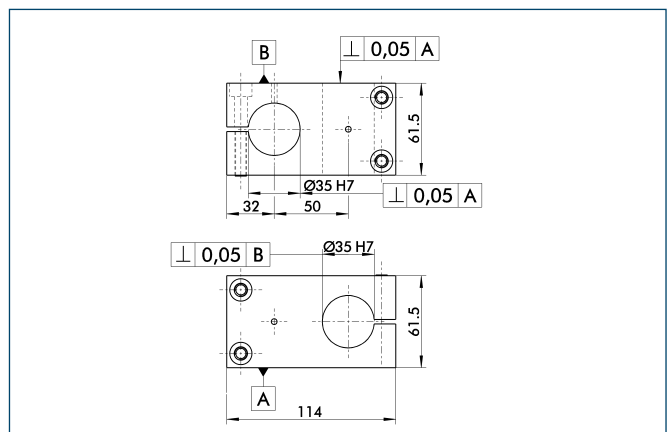
| Designation | ID      | Material |
|-------------|---------|----------|
| APDV 035    | 0313896 | Aluminum |

### Set collar, STR 035



| Designation | ID      | Material |
|-------------|---------|----------|
| STR 035     | 0313897 | Aluminum |

### Cross connector, KVB 035

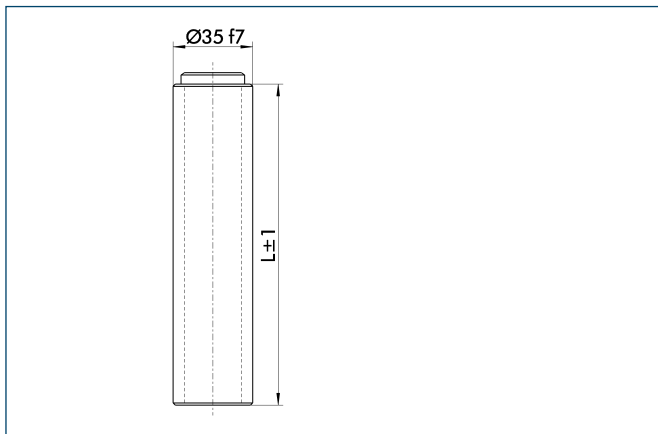


| Designation | ID      | Material |
|-------------|---------|----------|
| KVB 035     | 0313898 | Aluminum |

# Pillar diameter, 35 mm

## Assembly systems · Pillar profile modular system

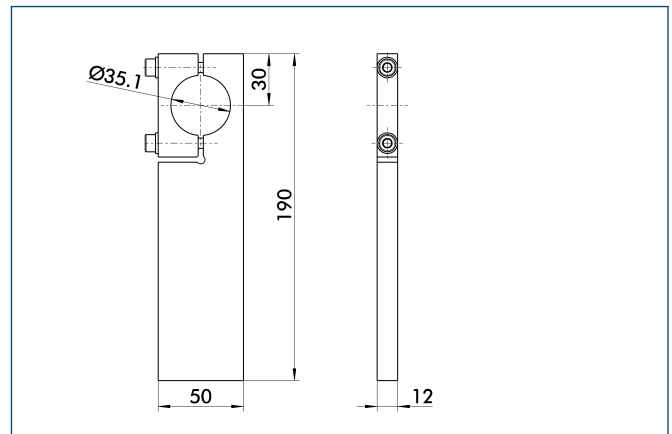
### Hollow pillar, SLH 035



| Designation  | ID      | Material | L<br>[mm] |
|--------------|---------|----------|-----------|
| SLH-035-0100 | 0313800 | Steel    | 100       |
| SLH-035-0110 | 0313801 | Steel    | 110       |
| SLH-035-0120 | 0313802 | Steel    | 120       |
| SLH-035-0130 | 0313803 | Steel    | 130       |
| SLH-035-0140 | 0313804 | Steel    | 140       |
| SLH-035-0150 | 0313805 | Steel    | 150       |
| SLH-035-0160 | 0313806 | Steel    | 160       |
| SLH-035-0170 | 0313807 | Steel    | 170       |
| SLH-035-0180 | 0313808 | Steel    | 180       |
| SLH-035-0190 | 0313809 | Steel    | 190       |
| SLH-035-0200 | 0313810 | Steel    | 200       |
| SLH-035-0210 | 0313811 | Steel    | 210       |
| SLH-035-0220 | 0313812 | Steel    | 220       |
| SLH-035-0230 | 0313813 | Steel    | 230       |
| SLH-035-0240 | 0313814 | Steel    | 240       |
| SLH-035-0250 | 0313815 | Steel    | 250       |
| SLH-035-0260 | 0313816 | Steel    | 260       |
| SLH-035-0270 | 0313817 | Steel    | 270       |
| SLH-035-0280 | 0313818 | Steel    | 280       |
| SLH-035-0290 | 0313819 | Steel    | 290       |
| SLH-035-0300 | 0313820 | Steel    | 300       |
| SLH-035-0310 | 0313821 | Steel    | 310       |
| SLH-035-0320 | 0313822 | Steel    | 320       |
| SLH-035-0330 | 0313823 | Steel    | 330       |
| SLH-035-0340 | 0313824 | Steel    | 340       |
| SLH-035-0350 | 0313825 | Steel    | 350       |
| SLH-035-0360 | 0313826 | Steel    | 360       |
| SLH-035-0370 | 0313827 | Steel    | 370       |
| SLH-035-0380 | 0313828 | Steel    | 380       |
| SLH-035-0390 | 0313829 | Steel    | 390       |
| SLH-035-0400 | 0313830 | Steel    | 400       |
| SLH-035-0410 | 0313831 | Steel    | 410       |
| SLH-035-0420 | 0313832 | Steel    | 420       |
| SLH-035-0430 | 0313833 | Steel    | 430       |
| SLH-035-0440 | 0313834 | Steel    | 440       |
| SLH-035-0450 | 0313835 | Steel    | 450       |
| SLH-035-0460 | 0313836 | Steel    | 460       |

| Designation  | ID      | Material | L<br>[mm] |
|--------------|---------|----------|-----------|
| SLH-035-0470 | 0313837 | Steel    | 470       |
| SLH-035-0480 | 0313838 | Steel    | 480       |
| SLH-035-0490 | 0313839 | Steel    | 490       |
| SLH-035-0500 | 0313840 | Steel    | 500       |
| SLH-035-0510 | 0313841 | Steel    | 510       |
| SLH-035-0520 | 0313842 | Steel    | 520       |
| SLH-035-0530 | 0313843 | Steel    | 530       |
| SLH-035-0540 | 0313844 | Steel    | 540       |
| SLH-035-0550 | 0313845 | Steel    | 550       |
| SLH-035-0560 | 0313846 | Steel    | 560       |
| SLH-035-0570 | 0313847 | Steel    | 570       |
| SLH-035-0580 | 0313848 | Steel    | 580       |
| SLH-035-0590 | 0313849 | Steel    | 590       |
| SLH-035-0600 | 0313850 | Steel    | 600       |
| SLH-035-0610 | 0313851 | Steel    | 610       |
| SLH-035-0620 | 0313852 | Steel    | 620       |
| SLH-035-0630 | 0313853 | Steel    | 630       |
| SLH-035-0640 | 0313854 | Steel    | 640       |
| SLH-035-0650 | 0313855 | Steel    | 650       |
| SLH-035-0660 | 0313856 | Steel    | 660       |
| SLH-035-0670 | 0313857 | Steel    | 670       |
| SLH-035-0680 | 0313858 | Steel    | 680       |
| SLH-035-0690 | 0313859 | Steel    | 690       |
| SLH-035-0700 | 0313860 | Steel    | 700       |
| SLH-035-0710 | 0313861 | Steel    | 710       |
| SLH-035-0720 | 0313862 | Steel    | 720       |
| SLH-035-0730 | 0313863 | Steel    | 730       |
| SLH-035-0740 | 0313864 | Steel    | 740       |
| SLH-035-0750 | 0313865 | Steel    | 750       |
| SLH-035-0760 | 0313866 | Steel    | 760       |
| SLH-035-0770 | 0313867 | Steel    | 770       |
| SLH-035-0780 | 0313868 | Steel    | 780       |
| SLH-035-0790 | 0313869 | Steel    | 790       |
| SLH-035-0800 | 0313870 | Steel    | 800       |
| SLH-035-0810 | 0313871 | Steel    | 810       |
| SLH-035-0820 | 0313872 | Steel    | 820       |
| SLH-035-0830 | 0313873 | Steel    | 830       |

### Mounting plate, MPL 035



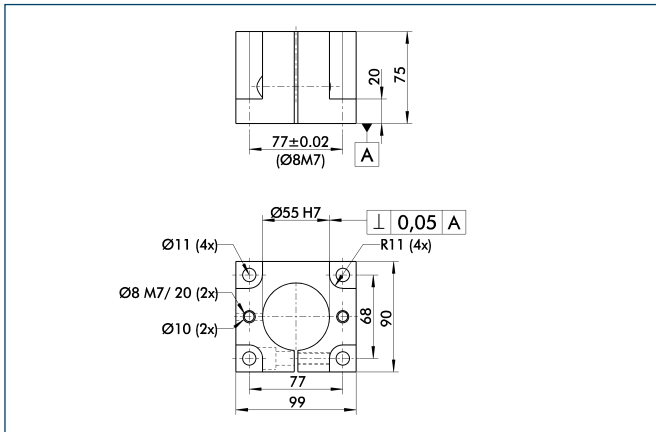
| Designation  | ID      | Material | L<br>[mm] |
|--------------|---------|----------|-----------|
| SLH-035-0840 | 0313874 | Steel    | 840       |
| SLH-035-0850 | 0313875 | Steel    | 850       |
| SLH-035-0860 | 0313876 | Steel    | 860       |
| SLH-035-0870 | 0313877 | Steel    | 870       |
| SLH-035-0880 | 0313878 | Steel    | 880       |
| SLH-035-0890 | 0313879 | Steel    | 890       |
| SLH-035-0900 | 0313880 | Steel    | 900       |
| SLH-035-0910 | 0313881 | Steel    | 910       |
| SLH-035-0920 | 0313882 | Steel    | 920       |
| SLH-035-0930 | 0313883 | Steel    | 930       |
| SLH-035-0940 | 0313884 | Steel    | 940       |
| SLH-035-0950 | 0313885 | Steel    | 950       |
| SLH-035-0960 | 0313886 | Steel    | 960       |
| SLH-035-0970 | 0313887 | Steel    | 970       |
| SLH-035-0980 | 0313888 | Steel    | 980       |
| SLH-035-0990 | 0313889 | Steel    | 990       |
| SLH-035-1000 | 0313890 | Steel    | 1000      |

| Designation | ID      | Material |
|-------------|---------|----------|
| MPL 035     | 0313899 | Aluminum |

# Pillar diameter, 55 mm

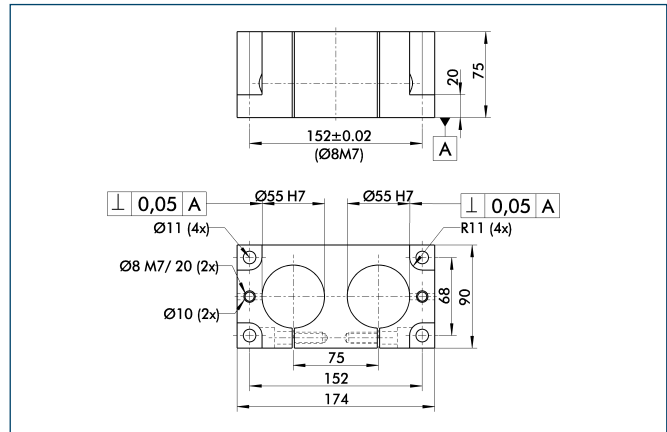
## Assembly systems · Pillar profile modular system

### Single base support, SOE 055



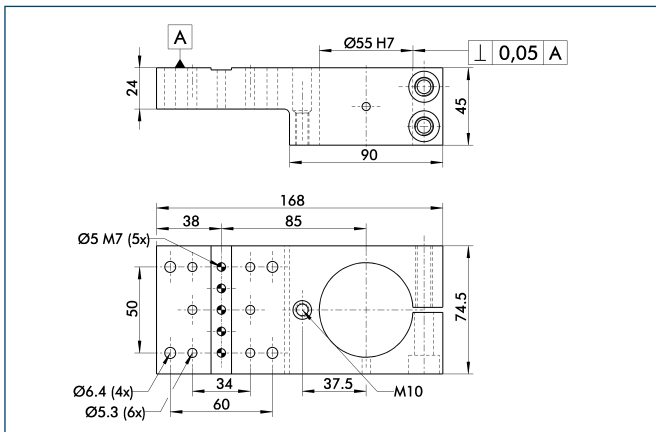
| Designation | ID      | Material |
|-------------|---------|----------|
| SOE 055     | 0313408 | Aluminum |

### Double socket, SOD 055



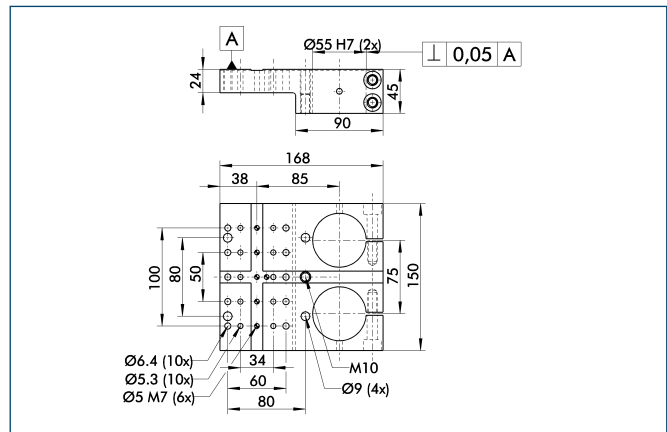
| Designation | ID      | Material |
|-------------|---------|----------|
| SOD 055     | 0313409 | Aluminum |

### Single mounting plate, horizontal, APEH 085



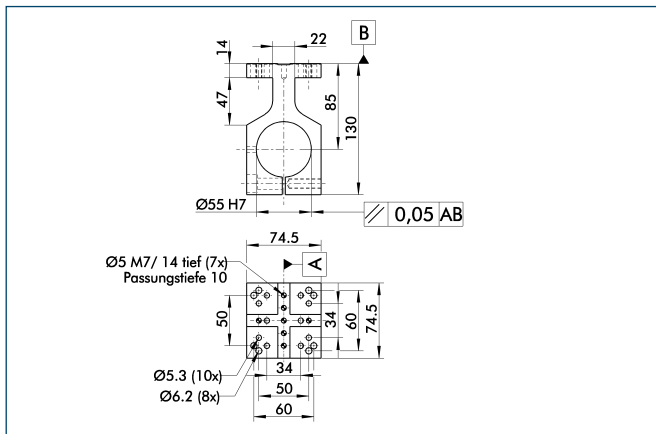
| Designation | ID      | Material |
|-------------|---------|----------|
| APEH 085    | 0313413 | Aluminum |

### Double mounting plate, horizontal, APDH 085



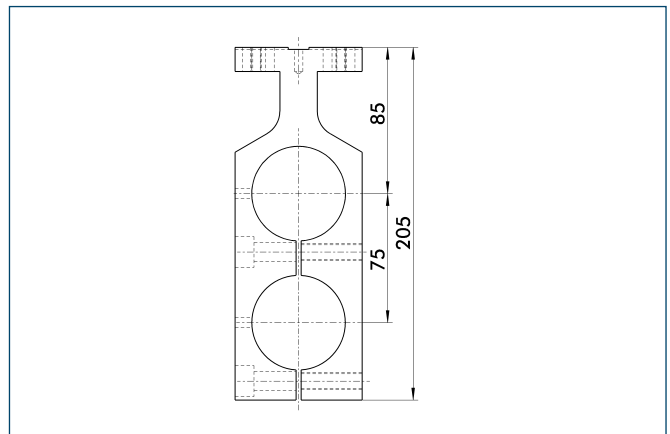
| Designation | ID      | Material |
|-------------|---------|----------|
| APDH 085    | 0313414 | Aluminum |

### Single mounting plate, vertical, APEV 085



| Designation | ID      | Material |
|-------------|---------|----------|
| APEV 085    | 0313415 | Aluminum |

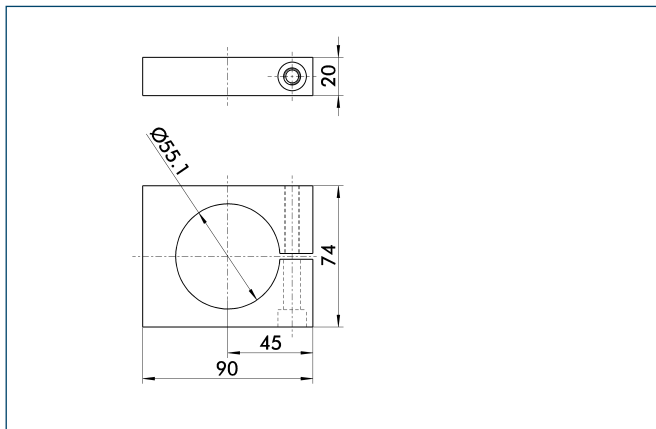
### Double mounting plate, vertical, APDV 085



Missing dimensions: see APEV 035

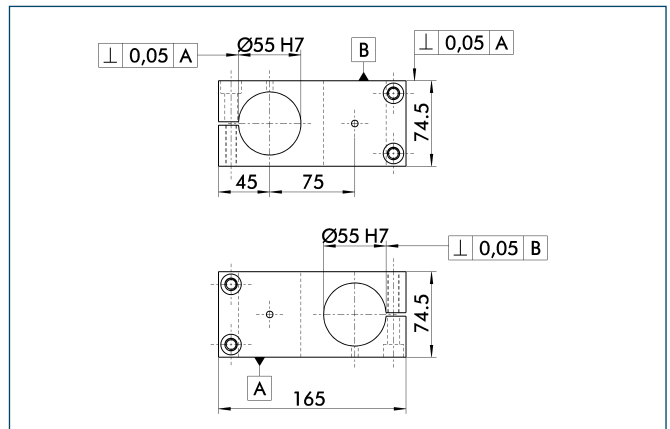
| Designation | ID      | Material |
|-------------|---------|----------|
| APDV 085    | 0313416 | Aluminum |

### Set collar, STR 055



| Designation | ID      | Material |
|-------------|---------|----------|
| STR 055     | 0313417 | Aluminum |

### Cross connector, KVB 075

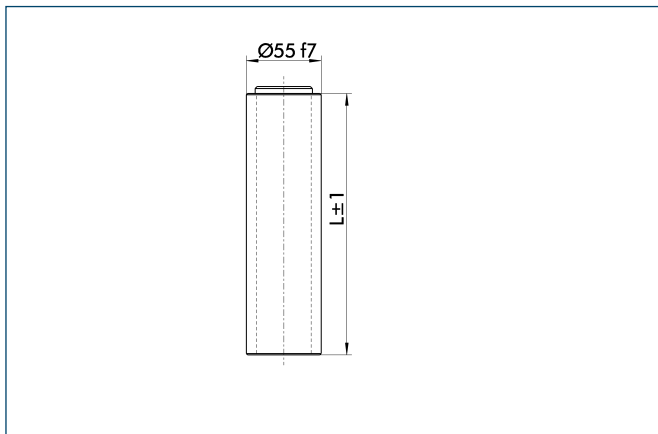


| Designation | ID      | Material |
|-------------|---------|----------|
| KVB 075     | 0313418 | Aluminum |

# Pillar diameter, 55 mm

## Assembly systems · Pillar profile modular system

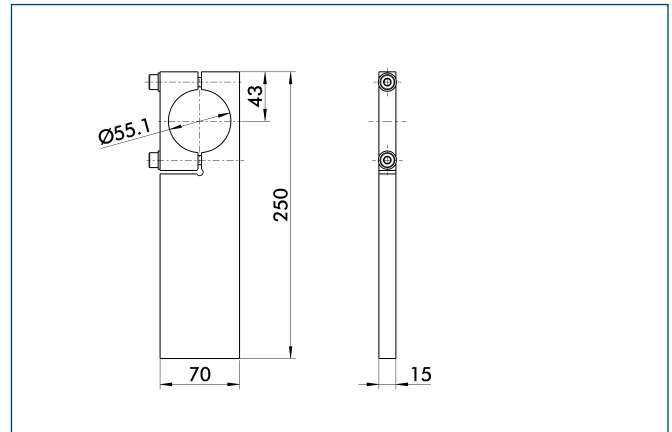
### Hollow pillar, SLH 055



| Designation  | ID      | Material | L<br>[mm] |
|--------------|---------|----------|-----------|
| SLH 055-0150 | 0313700 | Steel    | 150       |
| SLH 055-0160 | 0313701 | Steel    | 160       |
| SLH 055-0170 | 0313702 | Steel    | 170       |
| SLH 055-0180 | 0313703 | Steel    | 180       |
| SLH 055-0190 | 0313704 | Steel    | 190       |
| SLH 055-0200 | 0313705 | Steel    | 200       |
| SLH 055-0210 | 0313706 | Steel    | 210       |
| SLH 055-0220 | 0313707 | Steel    | 220       |
| SLH 055-0230 | 0313708 | Steel    | 230       |
| SLH 055-0240 | 0313709 | Steel    | 240       |
| SLH 055-0250 | 0313710 | Steel    | 250       |
| SLH 055-0260 | 0313711 | Steel    | 260       |
| SLH 055-0270 | 0313712 | Steel    | 270       |
| SLH 055-0280 | 0313713 | Steel    | 280       |
| SLH 055-0290 | 0313714 | Steel    | 290       |
| SLH 055-0300 | 0313715 | Steel    | 300       |
| SLH 055-0310 | 0313716 | Steel    | 310       |
| SLH 055-0320 | 0313717 | Steel    | 320       |
| SLH 055-0330 | 0313718 | Steel    | 330       |
| SLH 055-0340 | 0313719 | Steel    | 340       |
| SLH 055-0350 | 0313720 | Steel    | 350       |
| SLH 055-0360 | 0313721 | Steel    | 360       |
| SLH 055-0370 | 0313722 | Steel    | 370       |
| SLH 055-0380 | 0313723 | Steel    | 380       |
| SLH 055-0390 | 0313724 | Steel    | 390       |
| SLH 055-0400 | 0313725 | Steel    | 400       |
| SLH 055-0410 | 0313726 | Steel    | 410       |
| SLH 055-0420 | 0313727 | Steel    | 420       |
| SLH 055-0430 | 0313728 | Steel    | 430       |
| SLH 055-0440 | 0313729 | Steel    | 440       |
| SLH 055-0450 | 0313730 | Steel    | 450       |
| SLH 055-0460 | 0313731 | Steel    | 460       |
| SLH 055-0470 | 0313732 | Steel    | 470       |
| SLH 055-0480 | 0313733 | Steel    | 480       |
| SLH 055-0490 | 0313734 | Steel    | 490       |
| SLH 055-0500 | 0313735 | Steel    | 500       |
| SLH 055-0510 | 0313736 | Steel    | 510       |

| Designation  | ID      | Material | L<br>[mm] |
|--------------|---------|----------|-----------|
| SLH 055-0520 | 0313737 | Steel    | 520       |
| SLH 055-0530 | 0313738 | Steel    | 530       |
| SLH 055-0540 | 0313739 | Steel    | 540       |
| SLH 055-0550 | 0313740 | Steel    | 550       |
| SLH 055-0560 | 0313741 | Steel    | 560       |
| SLH 055-0570 | 0313742 | Steel    | 570       |
| SLH 055-0580 | 0313743 | Steel    | 580       |
| SLH 055-0590 | 0313744 | Steel    | 590       |
| SLH 055-0600 | 0313745 | Steel    | 600       |
| SLH 055-0610 | 0313746 | Steel    | 610       |
| SLH 055-0620 | 0313747 | Steel    | 620       |
| SLH 055-0630 | 0313748 | Steel    | 630       |
| SLH 055-0640 | 0313749 | Steel    | 640       |
| SLH 055-0650 | 0313750 | Steel    | 650       |
| SLH 055-0660 | 0313751 | Steel    | 660       |
| SLH 055-0670 | 0313752 | Steel    | 670       |
| SLH 055-0680 | 0313753 | Steel    | 680       |
| SLH 055-0690 | 0313754 | Steel    | 690       |
| SLH 055-0700 | 0313755 | Steel    | 700       |
| SLH 055-0710 | 0313756 | Steel    | 710       |
| SLH 055-0720 | 0313757 | Steel    | 720       |
| SLH 055-0730 | 0313758 | Steel    | 730       |
| SLH 055-0740 | 0313759 | Steel    | 740       |
| SLH 055-0750 | 0313760 | Steel    | 750       |
| SLH 055-0760 | 0313761 | Steel    | 760       |
| SLH 055-0770 | 0313762 | Steel    | 770       |
| SLH 055-0780 | 0313763 | Steel    | 780       |
| SLH 055-0790 | 0313764 | Steel    | 790       |
| SLH 055-0800 | 0313765 | Steel    | 800       |
| SLH 055-0810 | 0313766 | Steel    | 810       |
| SLH 055-0820 | 0313767 | Steel    | 820       |
| SLH 055-0830 | 0313768 | Steel    | 830       |
| SLH 055-0840 | 0313769 | Steel    | 840       |
| SLH 055-0850 | 0313770 | Steel    | 850       |
| SLH 055-0860 | 0313771 | Steel    | 860       |
| SLH 055-0870 | 0313772 | Steel    | 870       |
| SLH 055-0880 | 0313773 | Steel    | 880       |

### Mounting plate, MPL 250



| Designation  | ID      | Material | L<br>[mm] |
|--------------|---------|----------|-----------|
| SLH 055-0890 | 0313774 | Steel    | 890       |
| SLH 055-0900 | 0313775 | Steel    | 900       |
| SLH 055-0910 | 0313776 | Steel    | 910       |
| SLH 055-0920 | 0313777 | Steel    | 920       |
| SLH 055-0930 | 0313778 | Steel    | 930       |
| SLH 055-0940 | 0313779 | Steel    | 940       |
| SLH 055-0950 | 0313780 | Steel    | 950       |
| SLH 055-0960 | 0313781 | Steel    | 960       |
| SLH 055-0970 | 0313782 | Steel    | 970       |
| SLH 055-0980 | 0313783 | Steel    | 980       |
| SLH 055-0990 | 0313784 | Steel    | 990       |
| SLH 055-1000 | 0313785 | Steel    | 1000      |

| Designation | ID      | Material |
|-------------|---------|----------|
| MPL 250     | 0313419 | Aluminum |