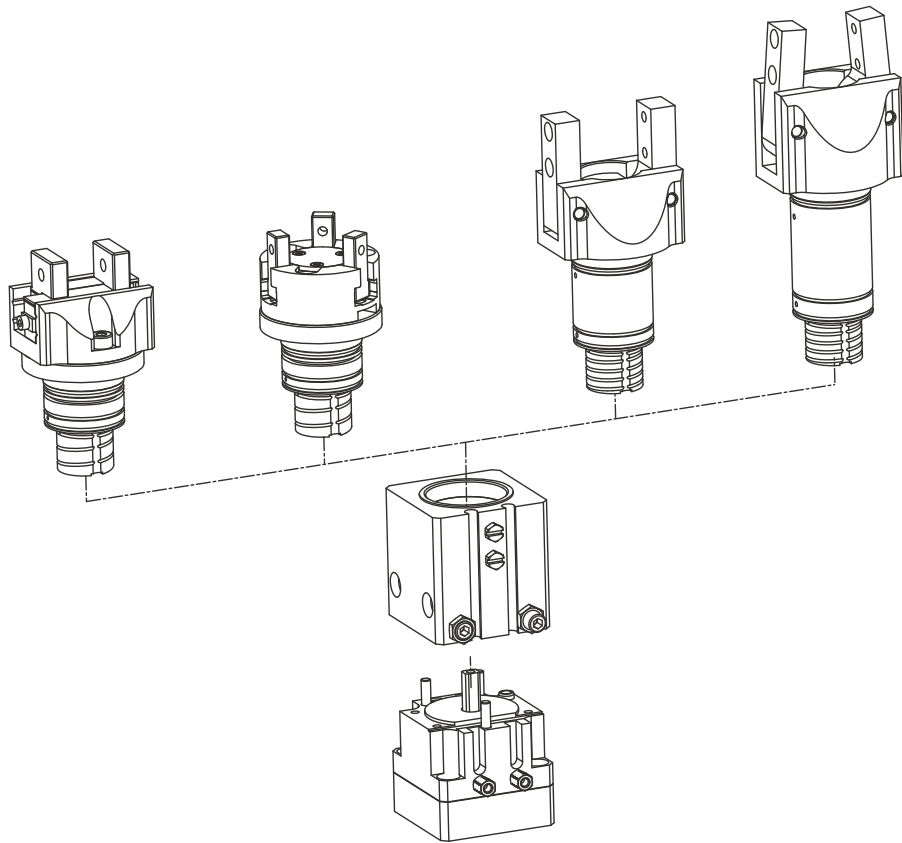


### Modular Design



### Versions of the series

Type

Gripper type

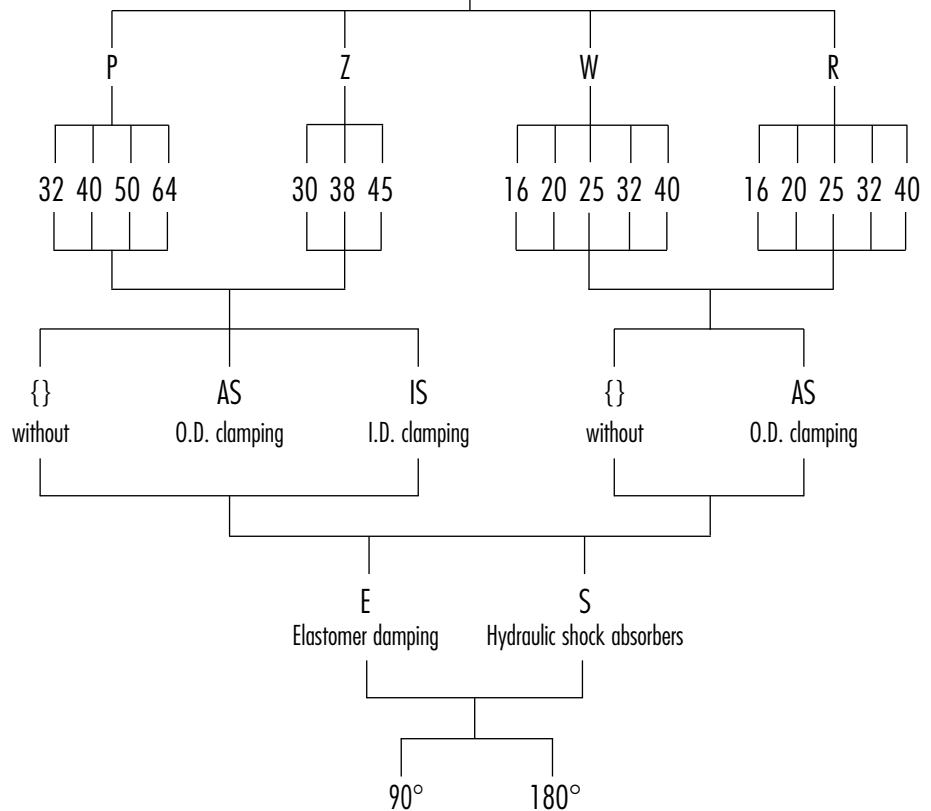
Size

Gripping force safety device

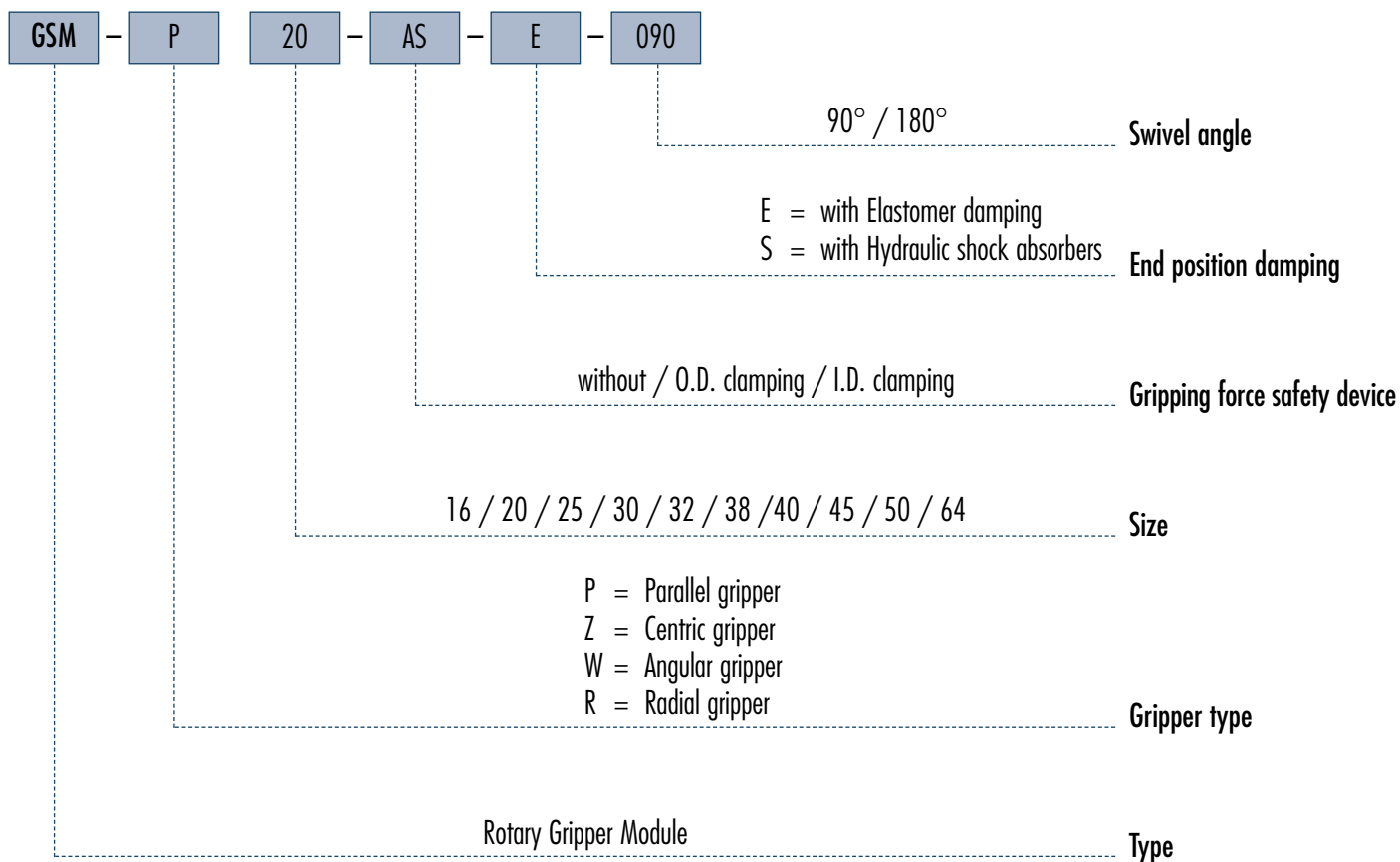
End position damping

Swivel angle

GSM

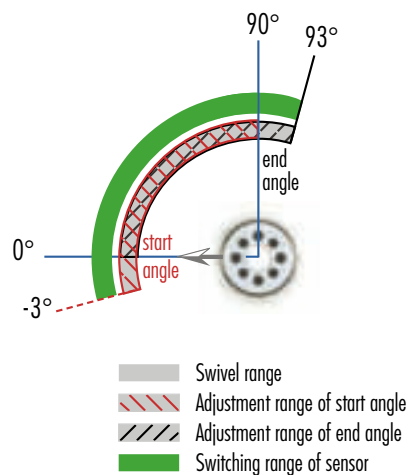


### How to order



### End stop adjustability and switching angle of sensor

- in the case of 90° units



- in the case of 180° units

