

Optical Switch



Function description

The optical sensor ONS emits light via the optical wave guide ONS-LWL. By analyzing the quantity of reflected light, the ONS can detect positions of the gripper being monitored and set or delete its output based on the programming.

Your advantages and benefits

Easy programming

for short commissioning times

LED display

for fast and easy functional checks

Light optical wave guide

for low weight on the gripper

Application example



Area of application

Use in clean environments in connection with the corresponding SCHUNK grippers.

- 1 Gripper
- 2 Optical wave guide
- 3 Force/torque sensor system controller

General information

Warranty
24 months

Notes

The ONS sensor is attractive due to its low sales price. It is based on the product FS-V31P from Keyence. By specifying the hardware and software, the user friendliness was increased for use with SCHUNK grippers and the functions optimized. For technical details see the operating manual.

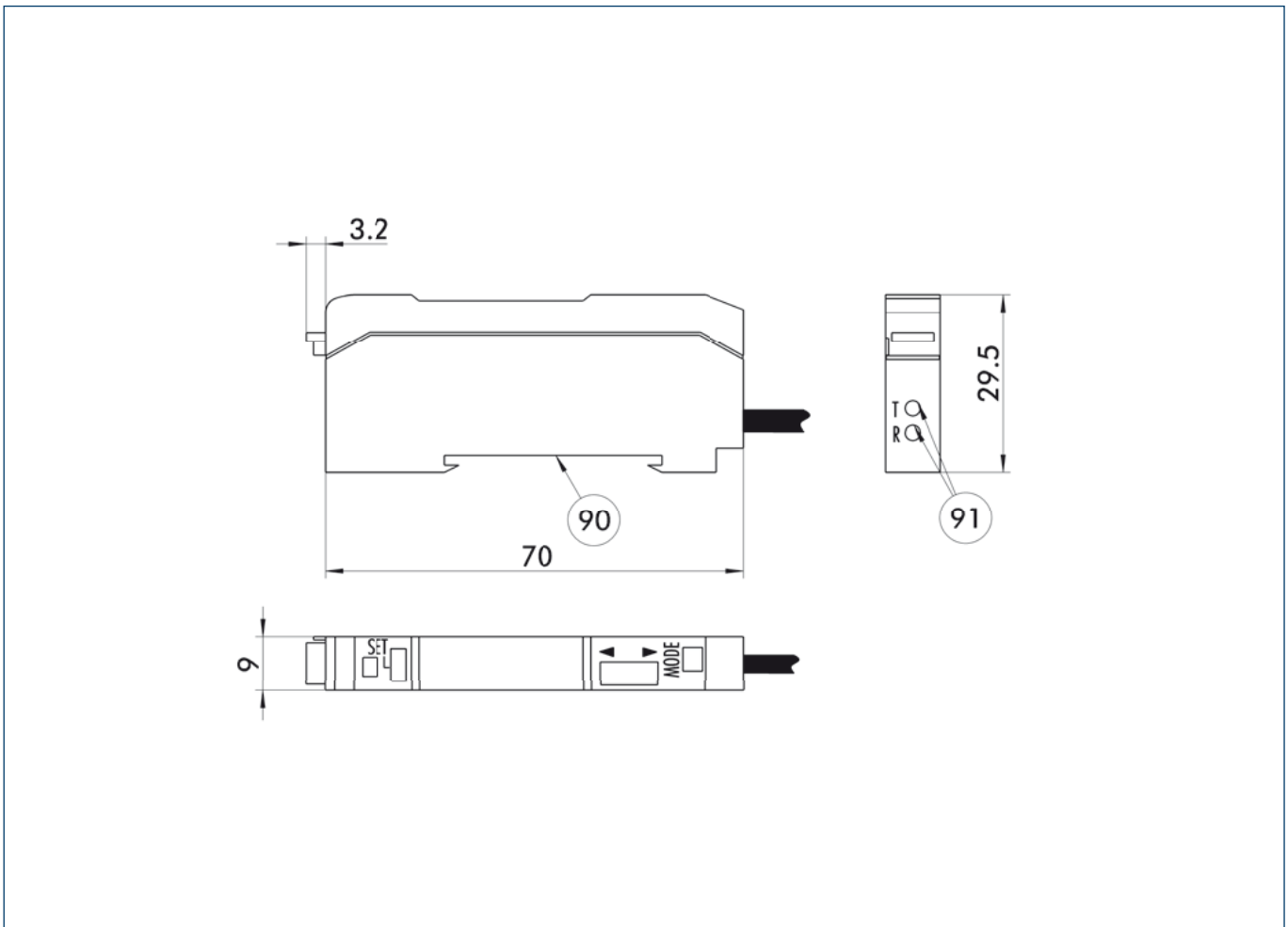


Technical data

Description		ONS 01
ID		301390
Voltage supply		DC
Min. voltage	[V]	12
Max. voltage	[V]	24
Number of digital switching outputs		1
Max. power on contact	[mA]	100
Min. ambient temperature	[°C]	-10
Max. ambient temperature	[°C]	55
IP class		20

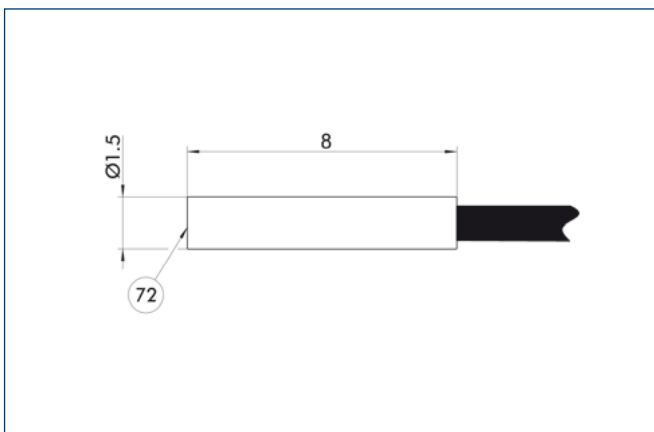
Description		ONS 01-LWL
ID		301391
Cable diameter	[mm]	1
Diameter of cable end	[mm]	1.5
Cable length	[m]	1
Min. bending radius (dynamic)	[mm]	40
Min. bending radius (static)	[mm]	30

Main view of the ONS 01



- 90 Assembly rail
- 91 Connection for sensor

ONS 01-LWL



- 72 Active sensor surface
- ① One optical wave guide ONS 01-LWL is needed for each ONS 01.