

Finger Blanks and Intermediate Jaws

Accessories · Gripper Jaws · **Gripper Jaws**

Gripper Jaws

of aluminum or steel for customized subsequent machining



Function description

Finger and jaw blanks already feature the mechanical interface to the gripper. The customer only needs to machine the blank to the specific workpiece geometry.

Your advantages and benefits

Matching finger blanks

for common gripper types

Easy mounting

thanks to standardized drilling pattern

High replacement accuracy

thanks to centering

Clamping contour

can be machined rapidly and easily

Rapid availability

Aluminum finger blanks

of high-strength aluminum alloy

Steel finger blanks

of hardenable steel

Application example



Area of application

variable clamping tasks, for sensitive workpieces

1 KTG 2-Finger Parallel Gripper

2 RB Finger Blanks for KTG

General information

Scope of delivery
including screws

Notes

To suit your special requirements, we will be glad to supply low-cost special solutions, workpiece-specific gripper fingers, attachment plates and complete units. Please ask for details.

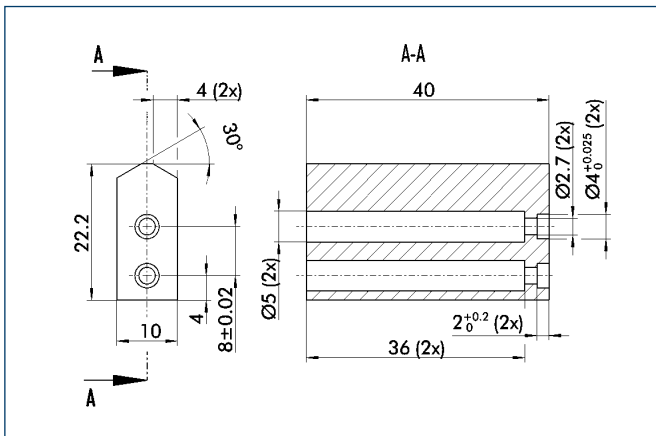




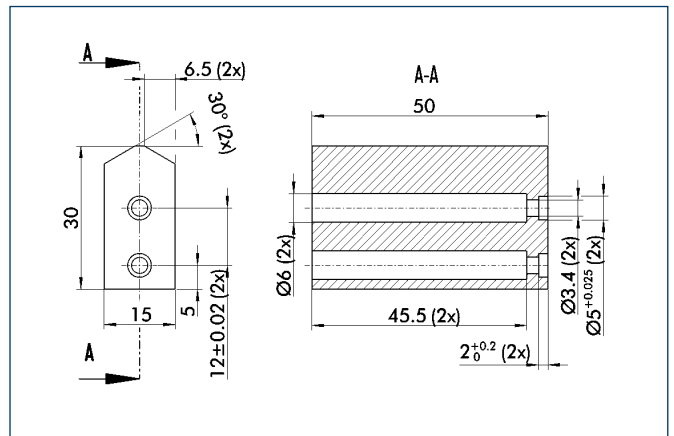
Technical data

Description	ID	Items per ID	Weight [kg]	Material
ABR-plus 40	0300008	1	0.02	Aluminum
SBR-plus 40	0300018	1	0.055	16 MnCr 5
ABR-plus 50	0300009	1	0.045	Aluminum
SBR-plus 50	0300019	1	0.125	16 MnCr 5
ABR-plus 64	0300010	1	0.093	Aluminum
SBR-plus 64	0300020	1	0.26	16 MnCr 5
ABR-plus 80	0300011	1	0.162	Aluminum
SBR-plus 80	0300021	1	0.455	16 MnCr 5
ABR-plus 100	0300012	1	0.358	Aluminum
SBR-plus 100	0300022	1	1.004	16 MnCr 5
ABR-plus 125	0300013	1	0.638	Aluminum
SBR-plus 125	0300023	1	1.788	16 MnCr 5
ABR-plus 160	0300014	1	1.291	Aluminum
SBR-plus 160	0300024	1	3.45	16 MnCr 5
ABR-plus 200	0300015	1	2.191	Aluminum
SBR-plus 200	0300025	1	6.144	16 MnCr 5
SBR-plus 240	0300027	1	7.98	16 MnCr 5
ABR-plus 240	0300017	1	2.84	Aluminum
ABR-plus 300	0300016	1	3.236	Aluminum
SBR-plus 300	0300026	1	9.072	16 MnCr 5

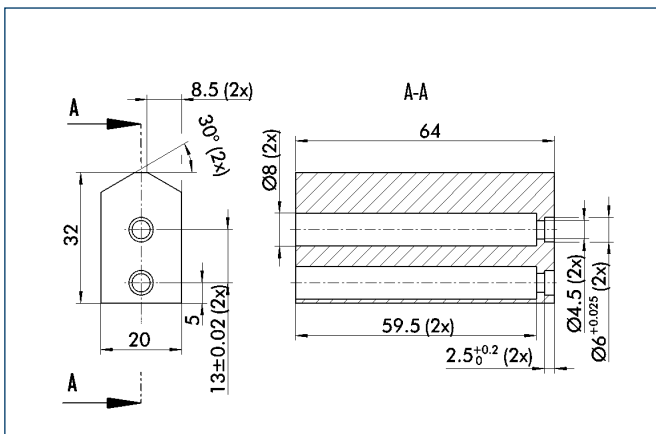
ABR-plus/SBR-plus 40



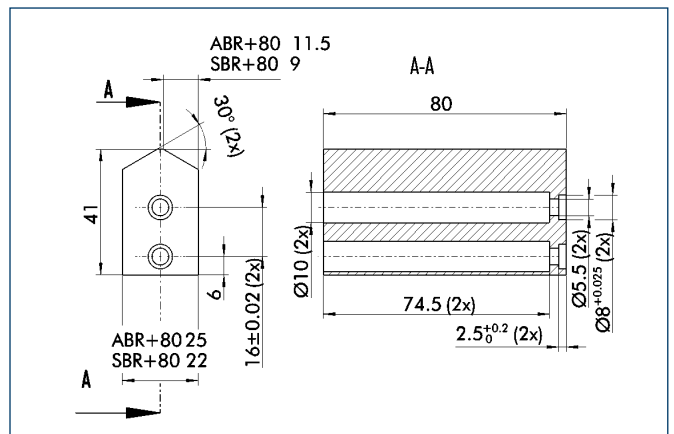
ABR-plus/SBR-plus 50



ABR-plus/SBR-plus 64



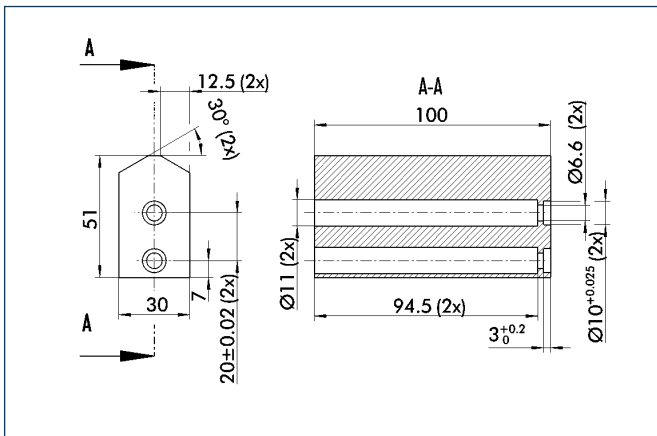
ABR-plus/SBR-plus 80



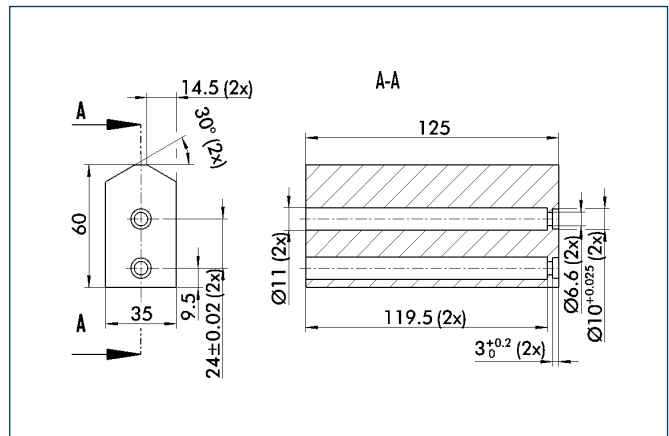
ABR-plus/SBR-plus

Accessories • Gripper Jaws • For Standard Screw Connection Diagram

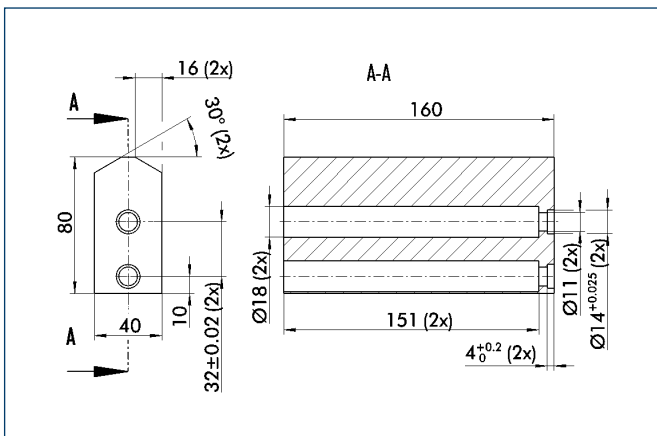
ABR-plus/SBR-plus 100



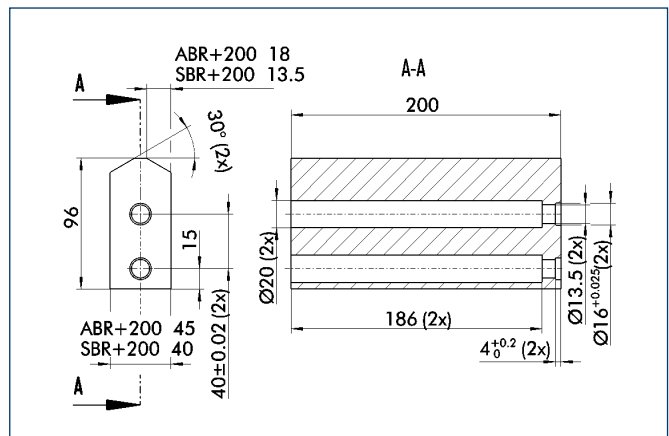
ABR-plus/SBR-plus 125



ABR-plus/SBR-plus 160



ABR-plus/SBR-plus 200



ABR for MPG

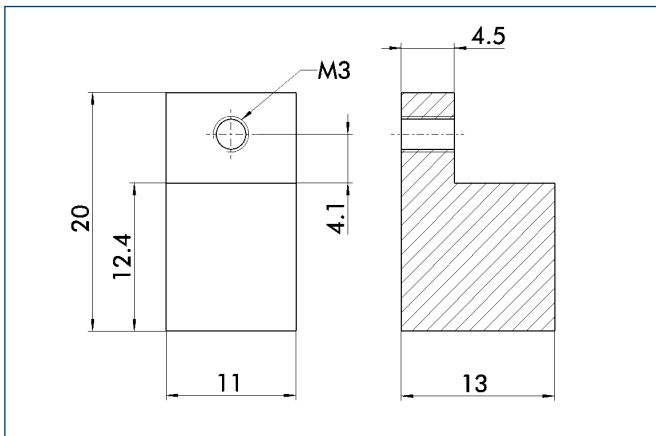
Accessories · Gripper Jaws · For Special Gripper Series



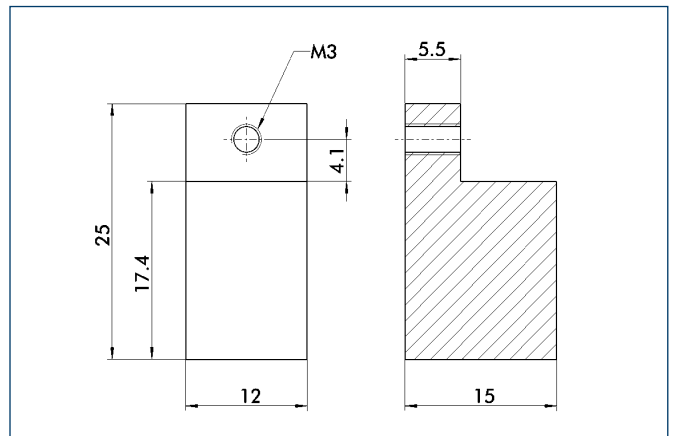
Technical data

Description	ID	Items per ID	Weight [kg]	Material
ABR 20	0340210	2	0.006	Aluminum
ABR 25	0340211	2	0.008	Aluminum
ABR 32	0340212	2	0.016	Aluminum
ABR 40	0340213	2	0.031	Aluminum
ABR 50	0340214	2	0.068	Aluminum
ABR 64	0340215	2	0.12	Aluminum

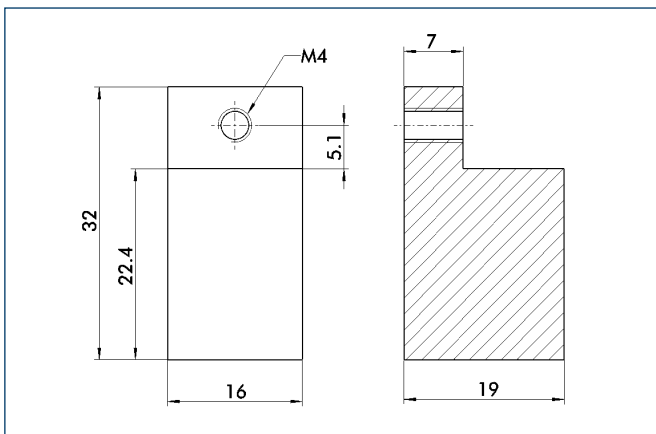
ABR 20



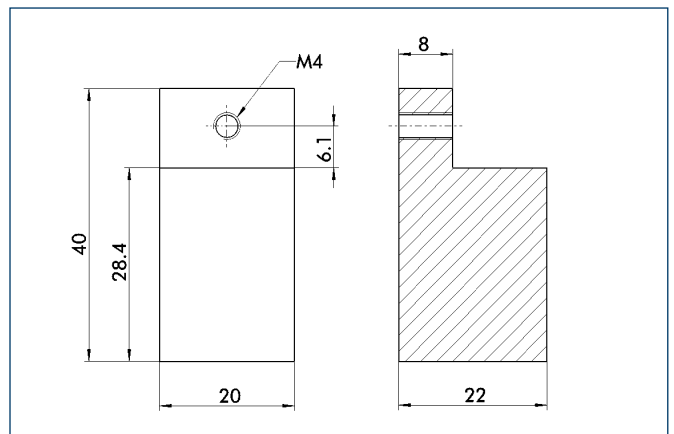
ABR 25



ABR 32



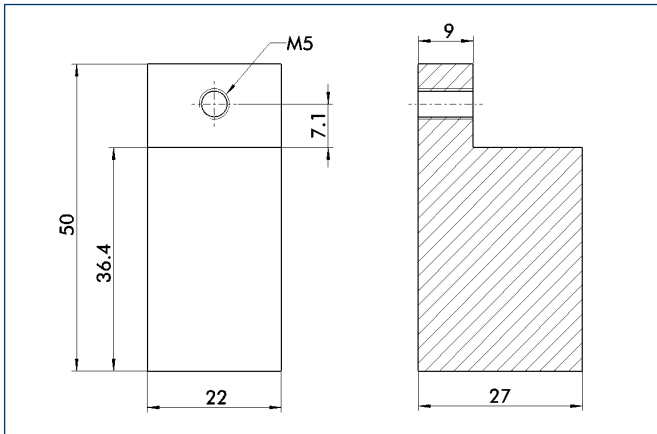
ABR 40



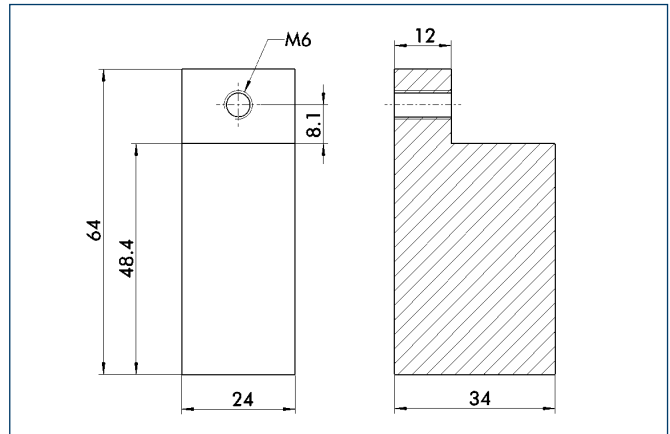
ABR for MPG

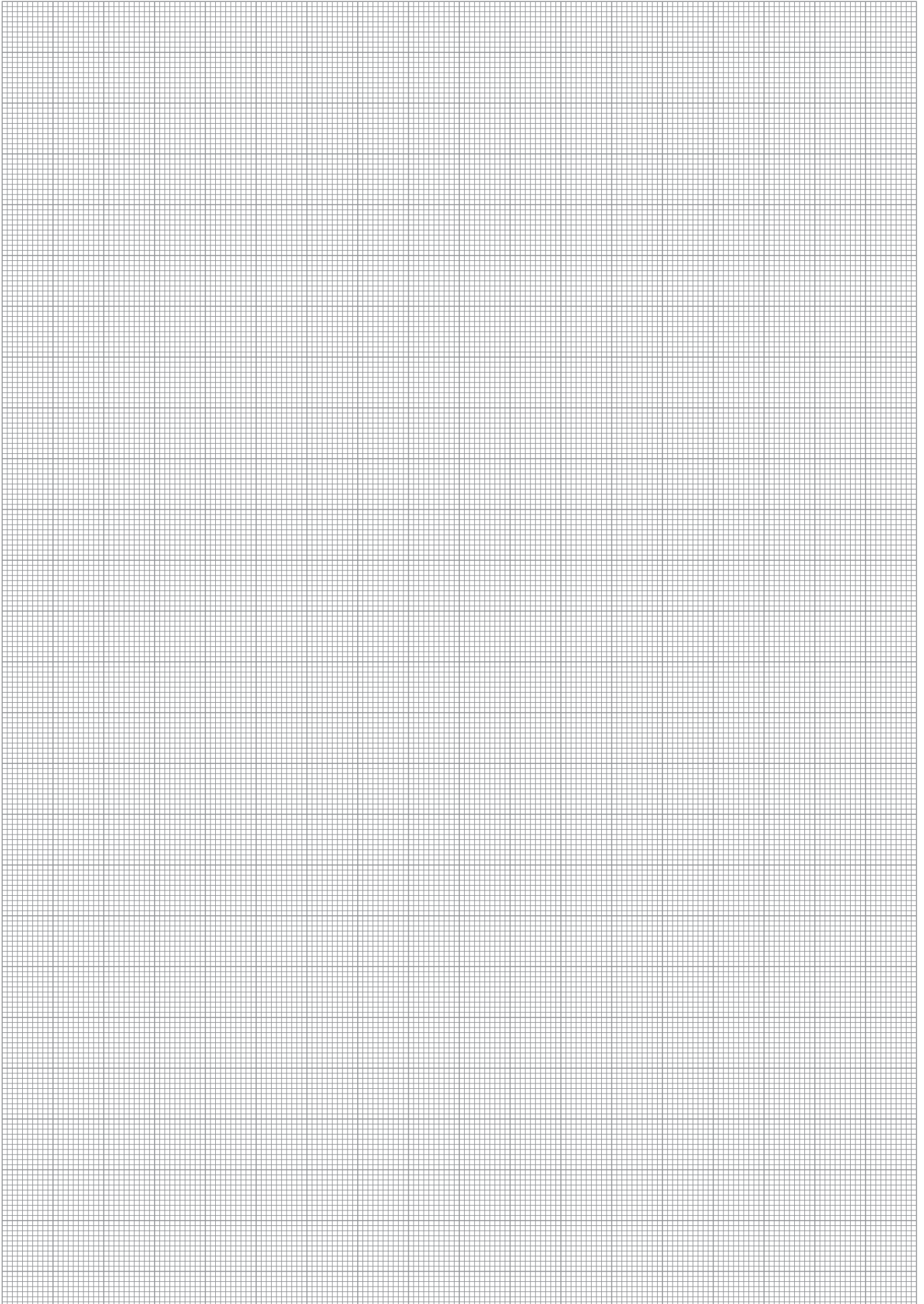
Accessories • Gripper Jaws • For Special Gripper Series

ABR 50



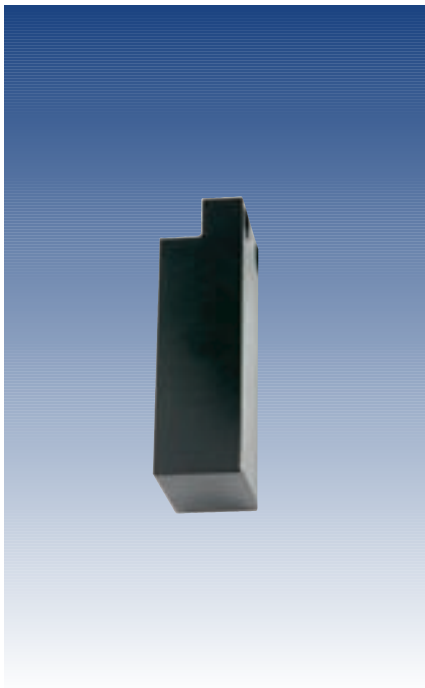
ABR 64





ABR for PG

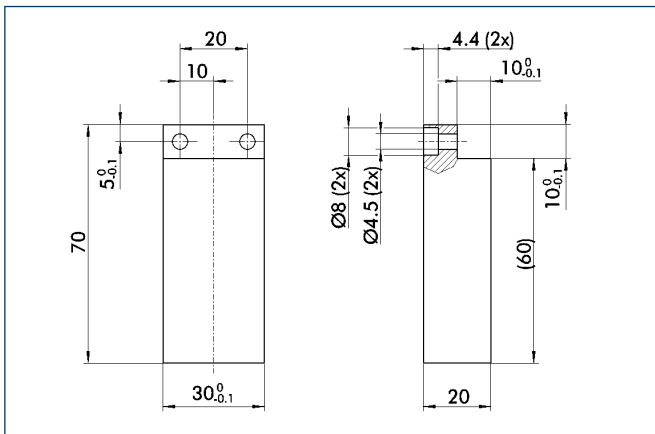
Accessories · Gripper Jaws · For Special Gripper Series



Technical data

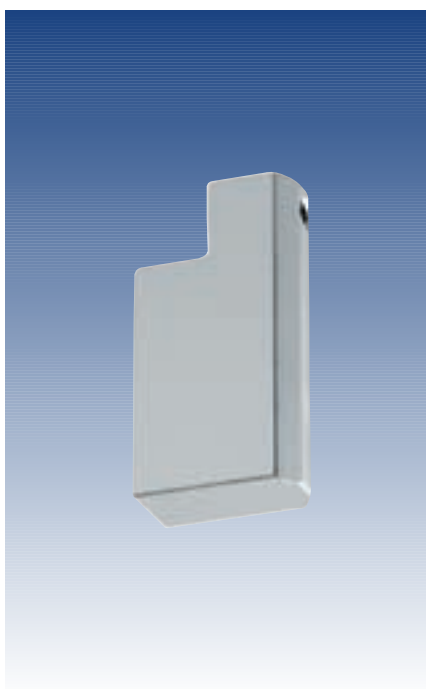
Description	ID	Items per ID	Weight [kg]	Material
ABR-PG 70	0307850	1	0.12	Aluminum

ABR 70 for PG 70



ABR for MPZ

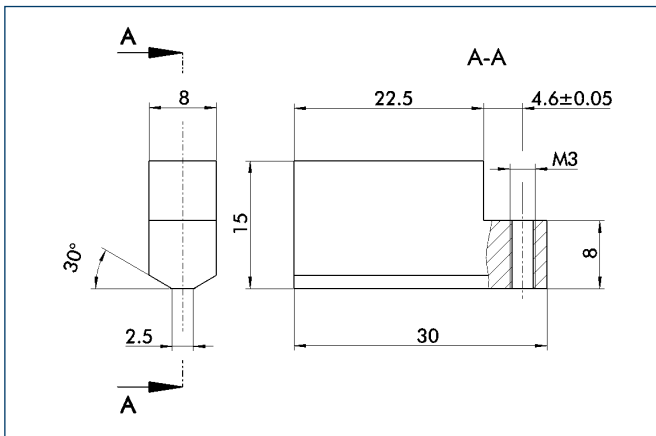
Accessories · Gripper Jaws · For Special Gripper Series



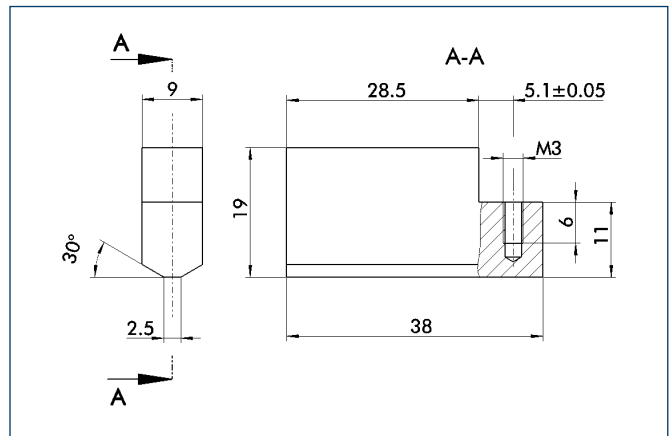
Technical data

Description	ID	Items per ID	Weight [kg]	Material
ABR 30	0340519	3	0.08	Aluminum
ABR 38	0340529	3	0.015	Aluminum
ABR 45	0340539	3	0.024	Aluminum

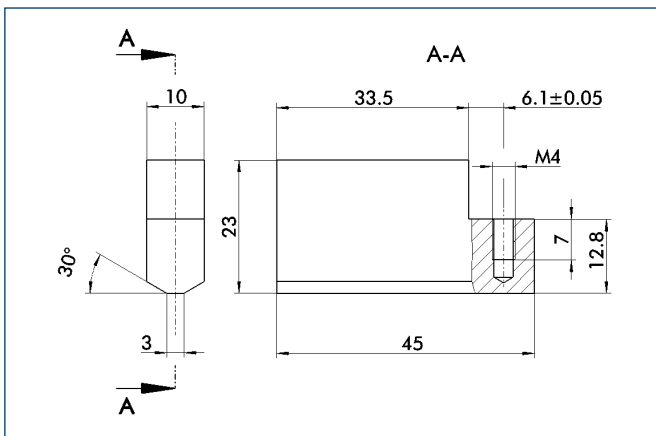
ABR 30



ABR 38



ABR 45



ABR for PGN/PZN

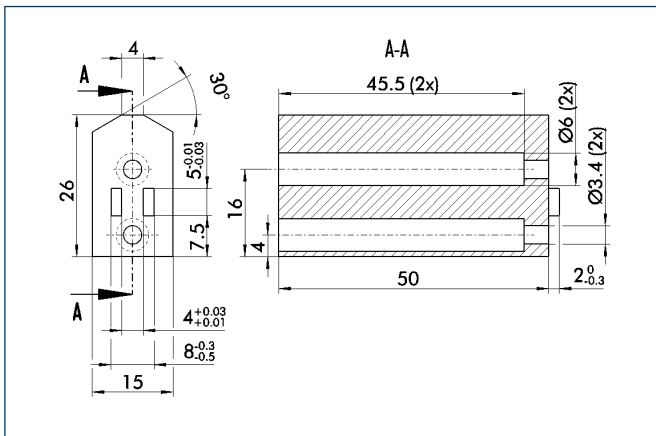
Accessories · Gripper Jaws · For Special Gripper Series



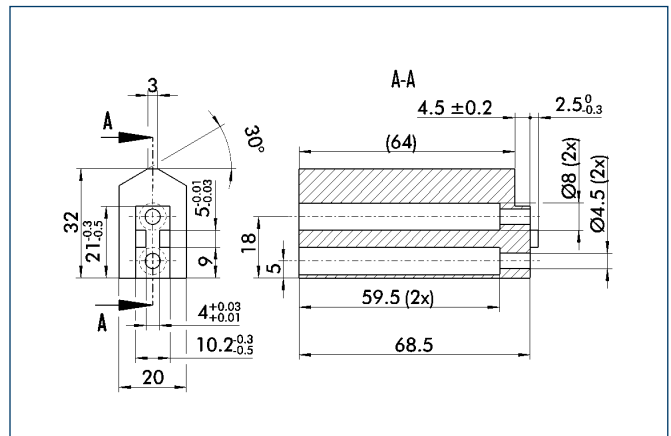
Technical data

Description	ID	Items per ID	Weight [kg]	Material
ABR 50	0300714	1	0.045	Aluminum
SBR 50	0300715	1	0.15	16 MnCr 5
ABR 64	0300725	1	0.093	Aluminum
SBR 64	0300734	1	0.26	16 MnCr 5
ABR 80	0300726	1	0.162	Aluminum
SBR 80	0300735	1	0.455	16 MnCr 5
ABR 100	0300727	1	0.358	Aluminum
SBR 100	0300736	1	1.004	16 MnCr 5
ABR 125	0300728	1	0.638	Aluminum
SBR 125	0300737	1	1.788	16 MnCr 5
ABR 160	0300729	1	1.291	Aluminum
SBR 160	0300738	1	3.45	16 MnCr 5
ABR 200	0300751	1	2.191	Aluminum
SBR 200	0300739	1	6.144	16 MnCr 5
ABR 300	0300752	1	3.236	Aluminum
SBR 300	0300753	1	9.072	16 MnCr 5

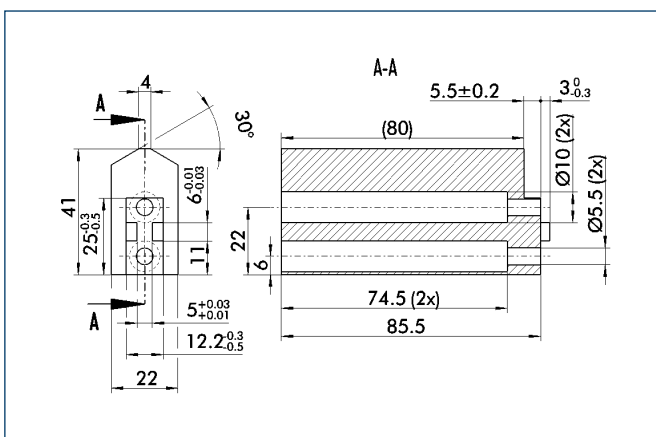
ABR 50/SBR 50



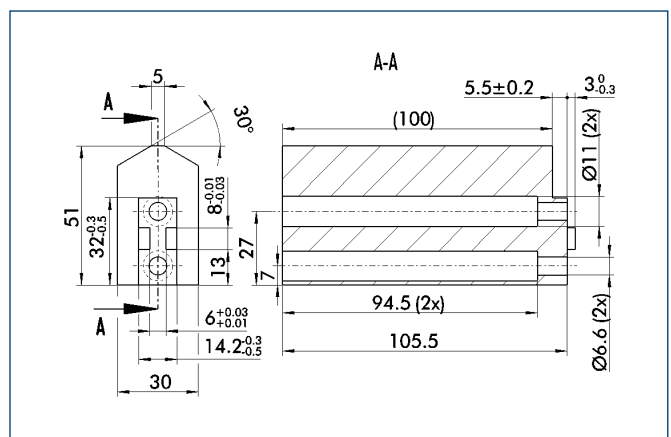
ABR 64/SBR 64



ABR 80/SBR 80



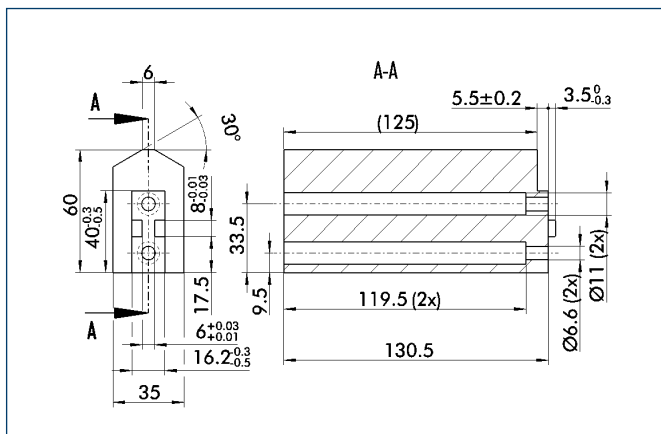
ABR 100/SBR 100



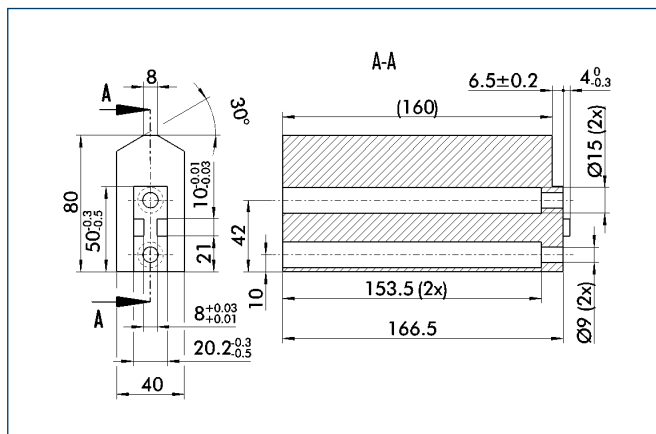
ABR for PGN/PZN

Accessories · Gripper Jaws · For Special Gripper Series

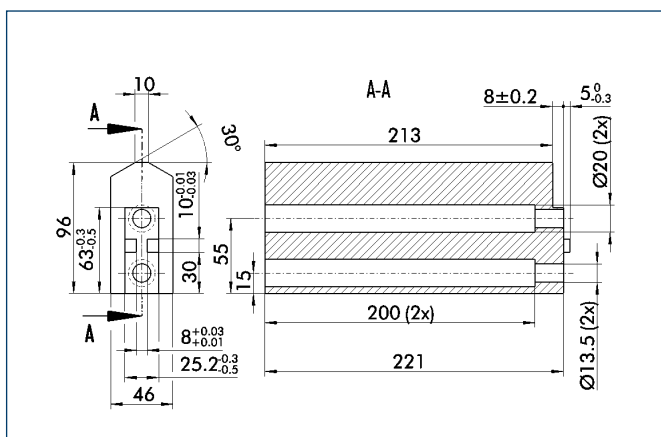
ABR 125/SBR 125



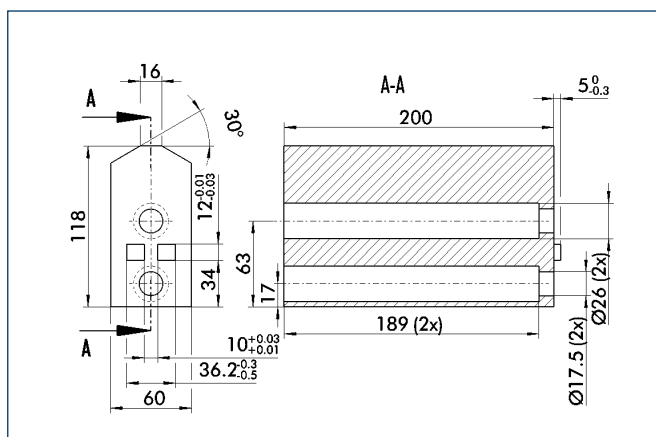
ABR 160/SBR 160

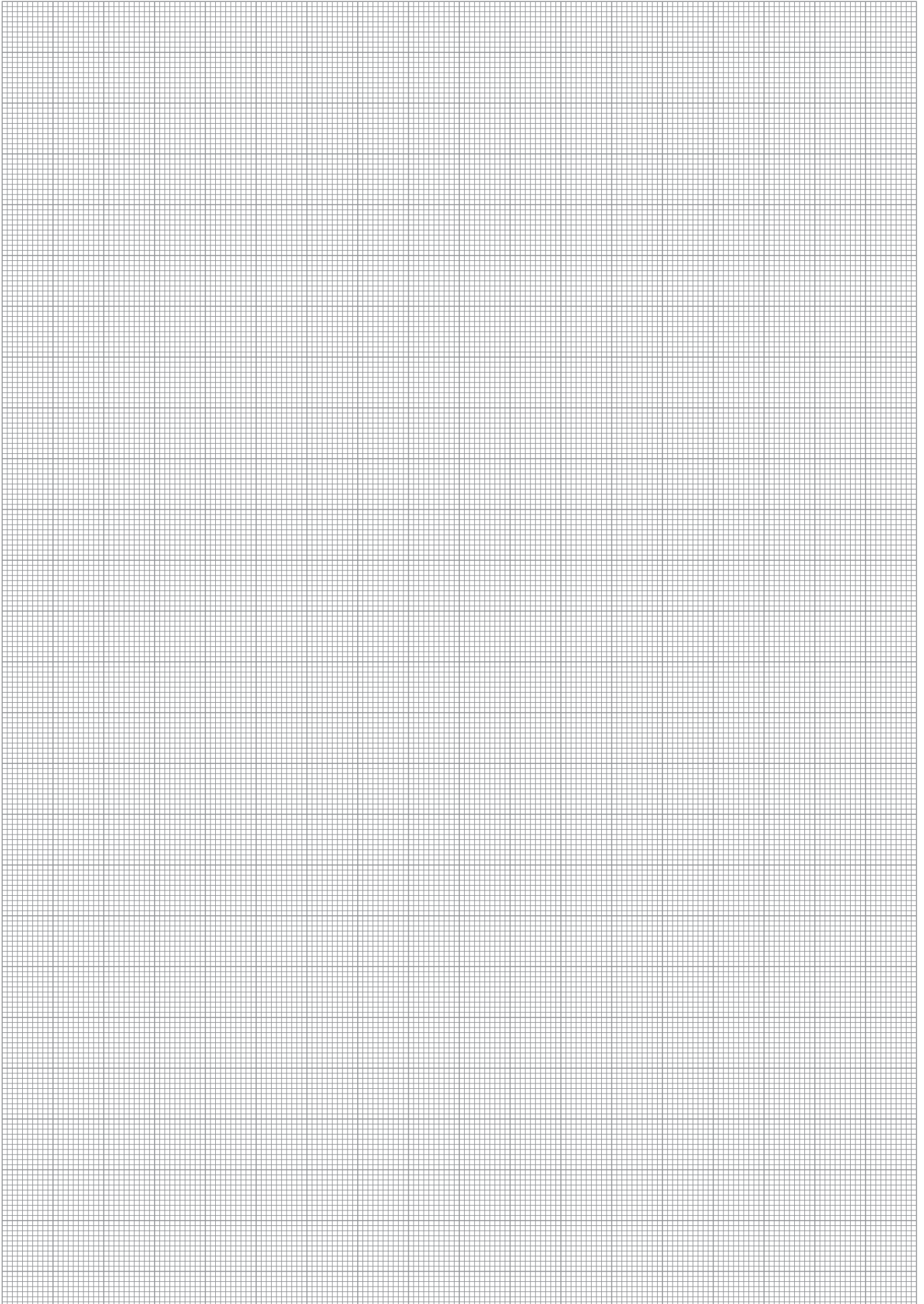


ABR 200/SBR 200



ABR 300/SBR 300





RB for KTG

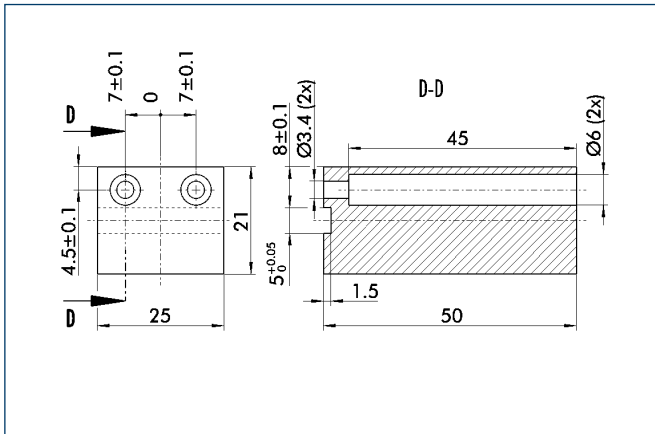
Accessories · Gripper Jaws · For Special Gripper Series



Technical data

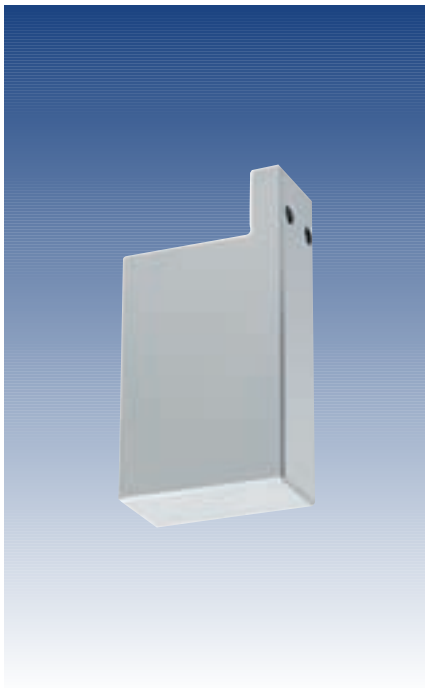
Description	ID	Items per ID	Weight [kg]	Material
RB 50	0300280	2	0.065	Aluminum

RB 50



RB for KGG

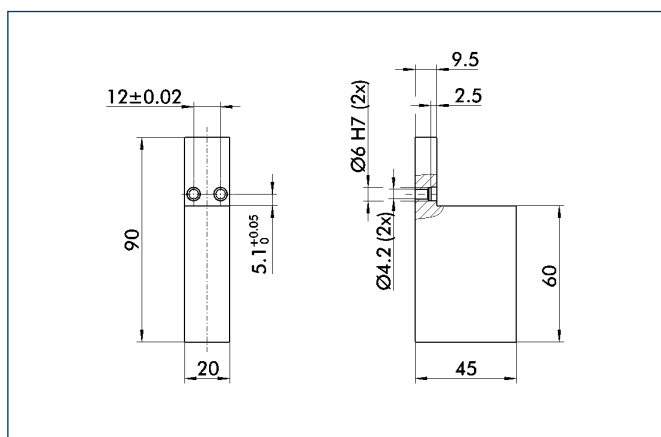
Accessories · Gripper Jaws · For Special Gripper Series



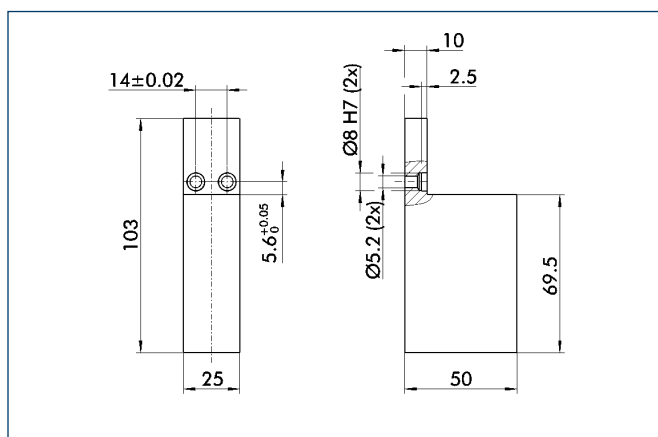
Technical data

Description	ID	Items per ID	Weight [kg]	Material
RB 80	0303089	2	0.16	Aluminum
RB 100	0303090	2	0.26	Aluminum
RB 140	0303091	2	0.467	Aluminum
RB 220	0300286	2	1.354	Aluminum
RB 280	0300287	2	3.102	Aluminum

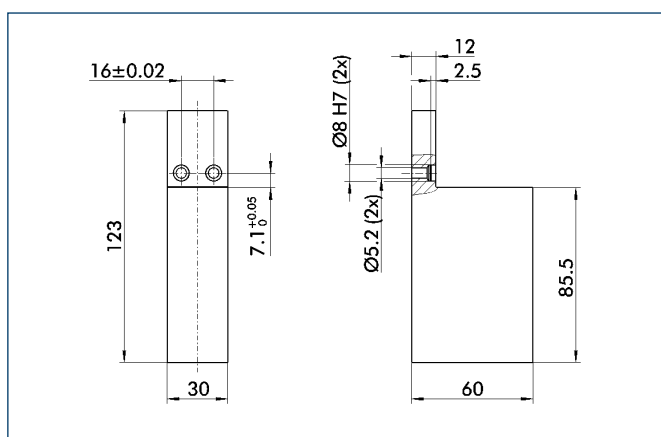
RB 80



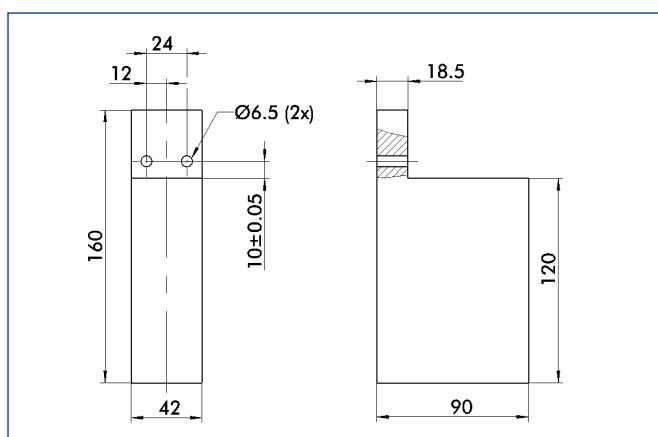
RB 100



RB 140



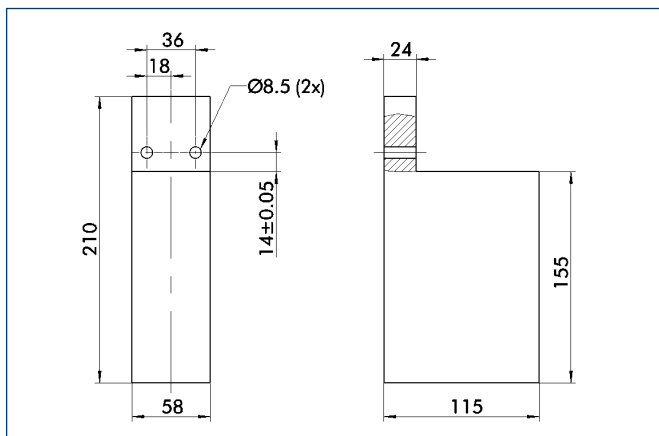
RB 220

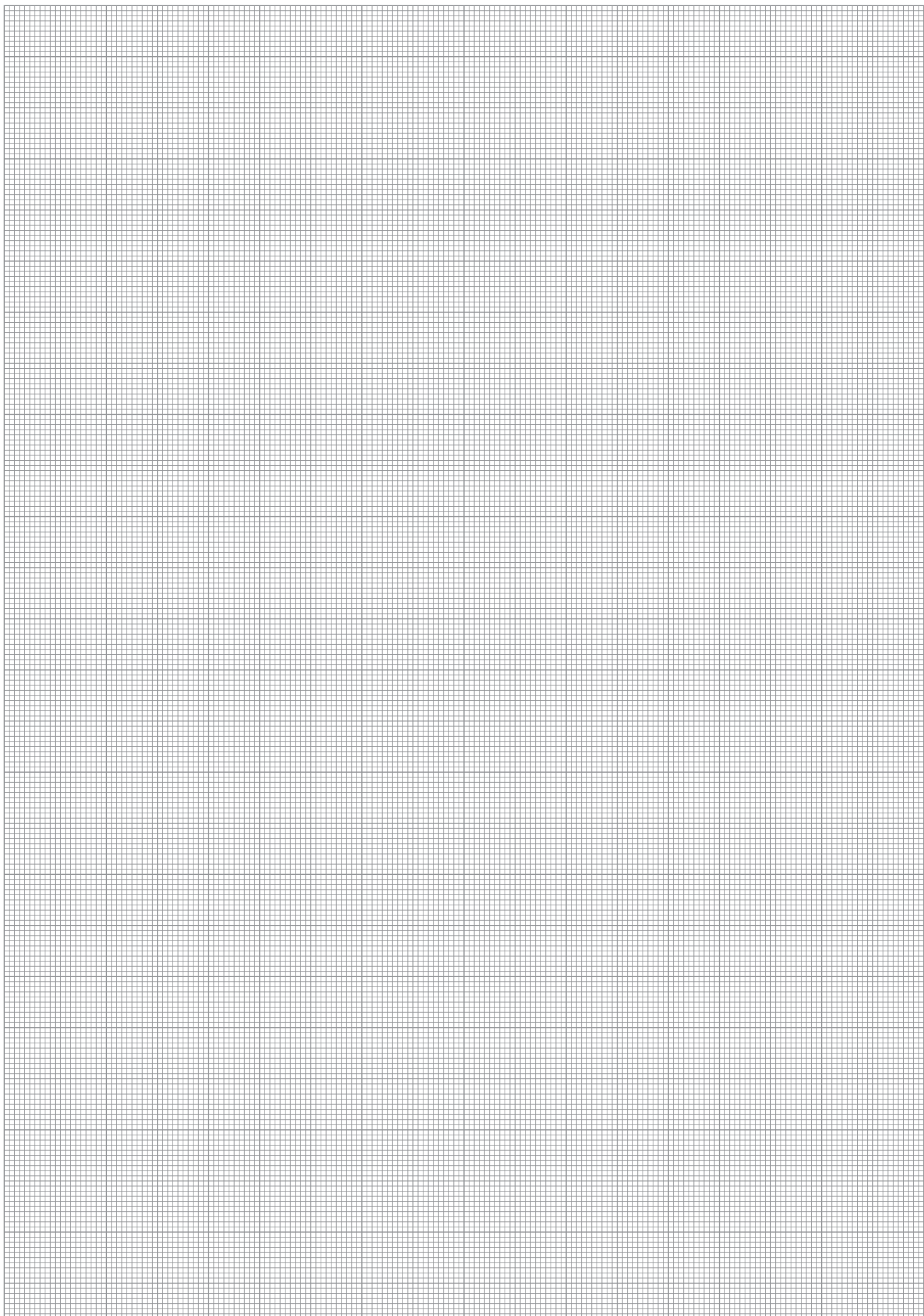


RB for KGG

Accessories · Gripper Jaws · For Special Gripper Series

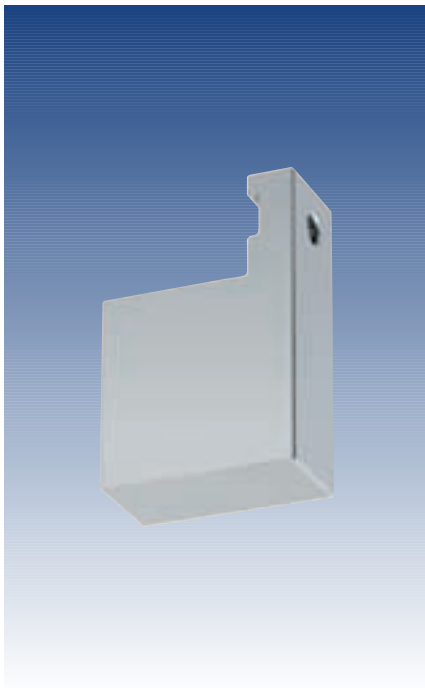
RB 280





RB for DKG-RR

Accessories · Gripper Jaws · For Special Gripper Series



Technical data

Description	ID	Items per ID	Weight [kg]	Material
RB 44	0300281	2	0.038	Aluminum

