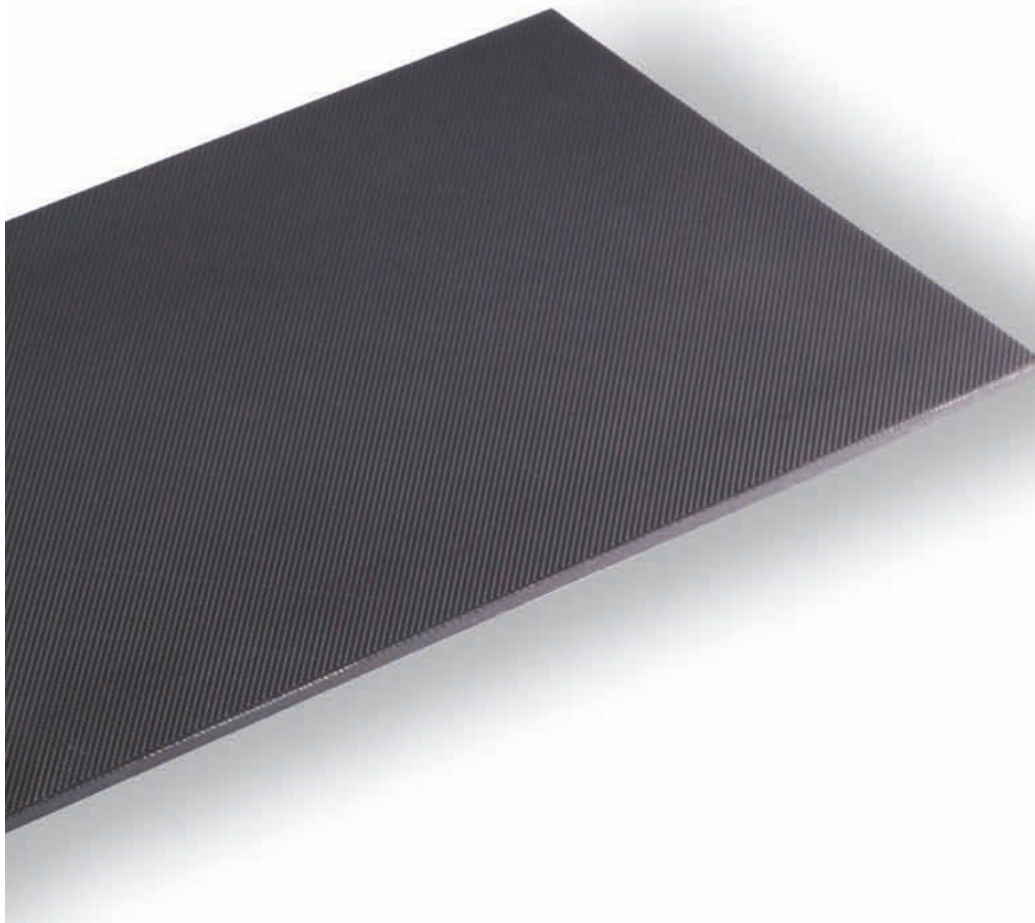


HKI Gripper Pads

Gripper Pads made of soft plastic for surface-friendly gripping of workpieces with simultaneous increase of friction forces.



Function description

The gripper pads are attached to the surface of the gripper fingers that contact the workpiece.

Your advantages and benefits

High friction coefficient of approx. 0.3 - 0.4
for higher workpiece weights with the same gripping force

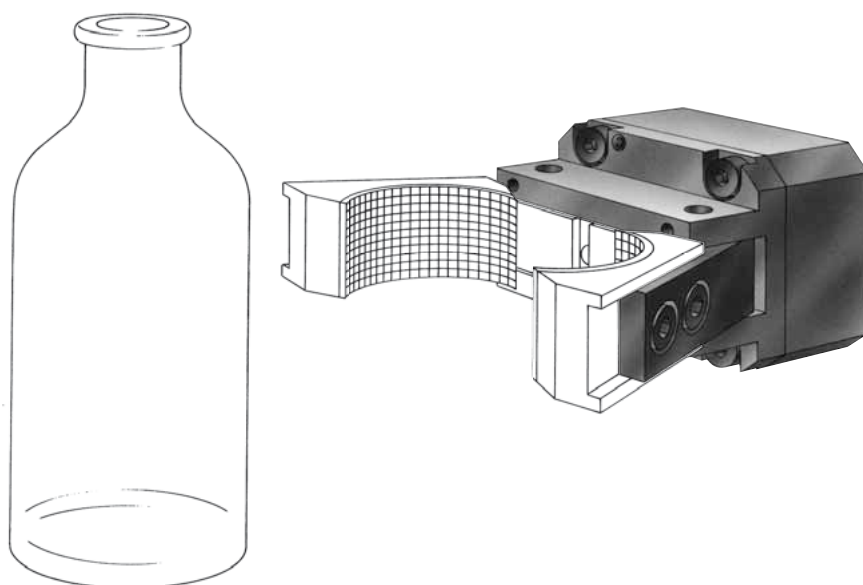
Easy assembly
through gluing or screws

Pliable surface
for surface-friendly gripping

Resistant against oil
for use in difficult environments

Area of application

variable clamping tasks, for sensitive workpieces



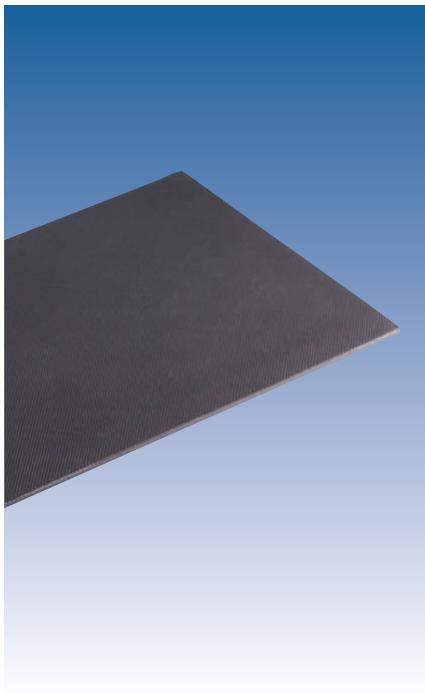
General information

Warranty
24 months

Notes

The HKI gripper pads are delivered as plates.
Blanks can be ordered as special products.

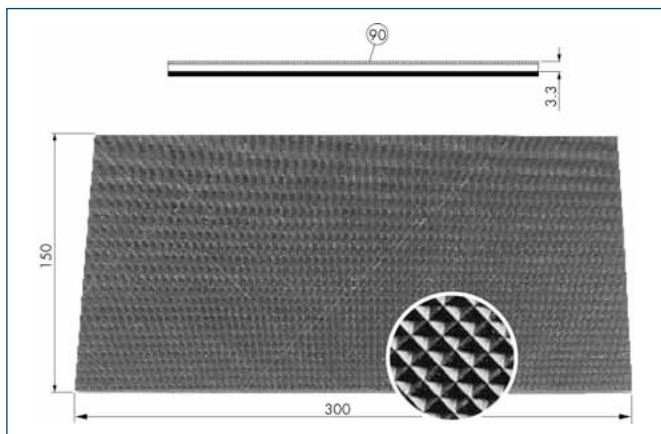




Technical data

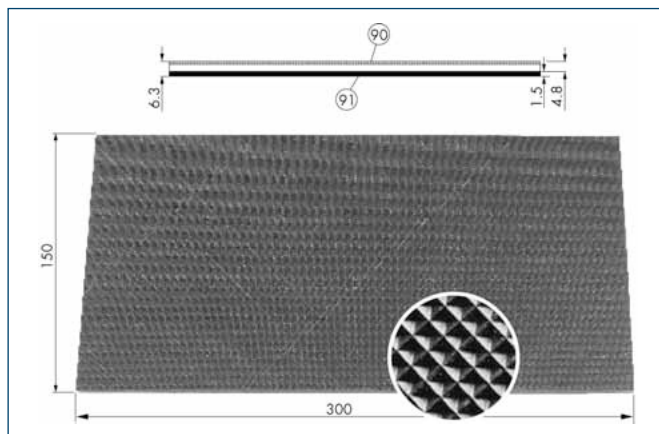
| Description | | HKI 1E | HKI 1A | HKI 1S |
|--------------------------|---------|--------------|--------------|-----------------|
| ID | | 0324160 | 0324161 | 0324162 |
| Length | [mm] | 300.0 | 300.0 | 300.0 |
| Width | [mm] | 150.0 | 150.0 | 150.0 |
| Thickness | [mm] | | 6.3 | 13.5 |
| Elastomer | | NBR Perbunan | NBR Perbunan | NBR Perbunan |
| Hard elastomer | [Shore] | 60.0 | 60.0 | 60.0 |
| Hardness tolerance +/- | [Shore] | 5.0 | 5.0 | 5.0 |
| Base plate present | | No | Yes | Yes |
| Material of base plate | | Elastomer | Aluminum | Stainless steel |
| Min. ambient temperature | [°C] | -30.0 | -30.0 | -30.0 |
| Max. ambient temperature | [°C] | 100.0 | 100.0 | 100.0 |

HKI 1E



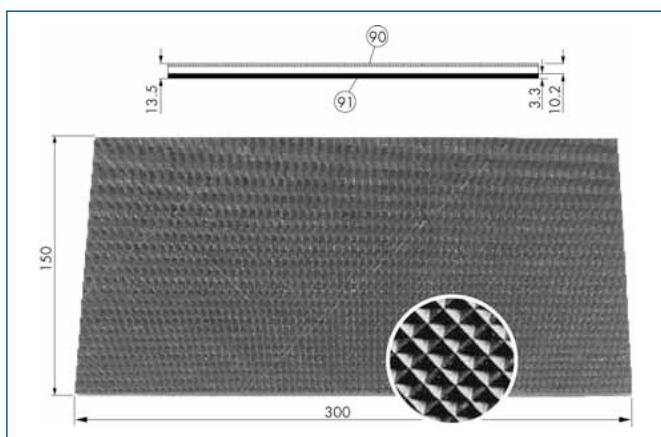
⑨⑩ Elastomer pads

HKI 1A



⑨⑩ Elastomer pads
⑨⑪ Aluminum base plate

HKI 1S



⑨⑩ Elastomer pads
⑨⑪ Stainless steel base plate

