

# Cable Connector

## Assembly instructions and Pinout

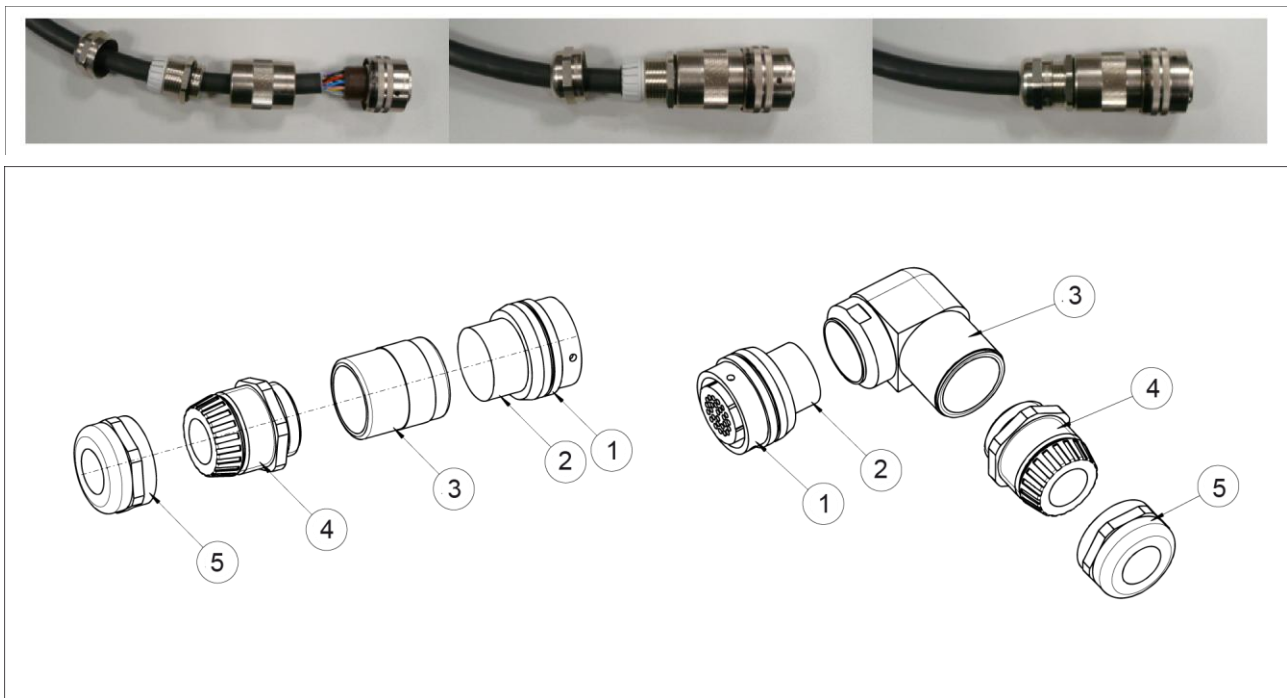


02.05 / KAS / en / 0389164

### 1 Safety instructions

- If the plug connectors should be used for voltage  $> 50 V_{\text{eff}}$  connected to earth, the contacting housing components have to be protected in the same way as to whole equipment (see also DIN VDE part 410, IEC 60364-4-41).
- Never insert or separate the plug connectors while they are connected to voltage.
- Grounding has to be provided by the customer.

### 2 Mounting the cable



- 1 Remove the isolation of the wires and crimp or solder it with the pins / sockets.
  - 2 Put the wires through the cap nut (5), then the strain relief (4), housing (3) and seal insert (2) into the Connector (1).
  - 3 Screw housing (3) with Connector (1).
  - 4 Screw strain relief (4) with housing (3).
  - 5 Screw cap nut (5) with strain relief (4) and tight it.
- ⇒ Mounting of the cable connector is completed.

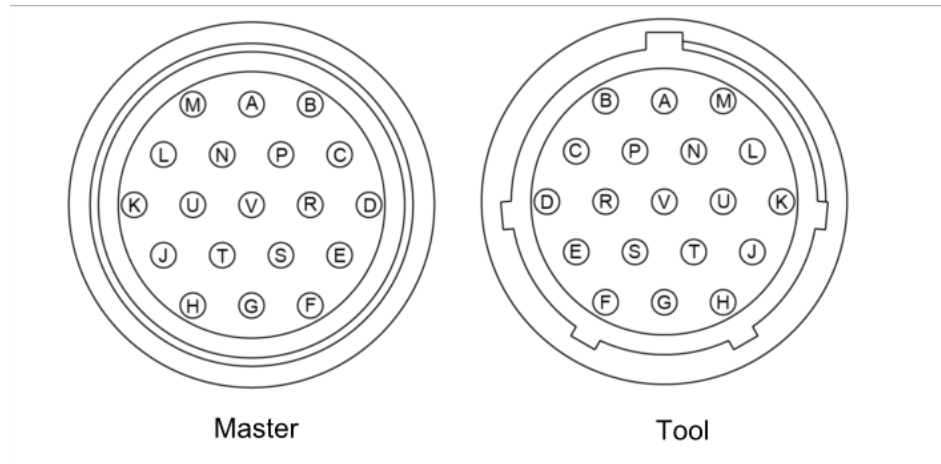
### 3 Pinout

#### NOTE

**IP65 protection to IEC 529 / EN 60529 only when plugged in.**

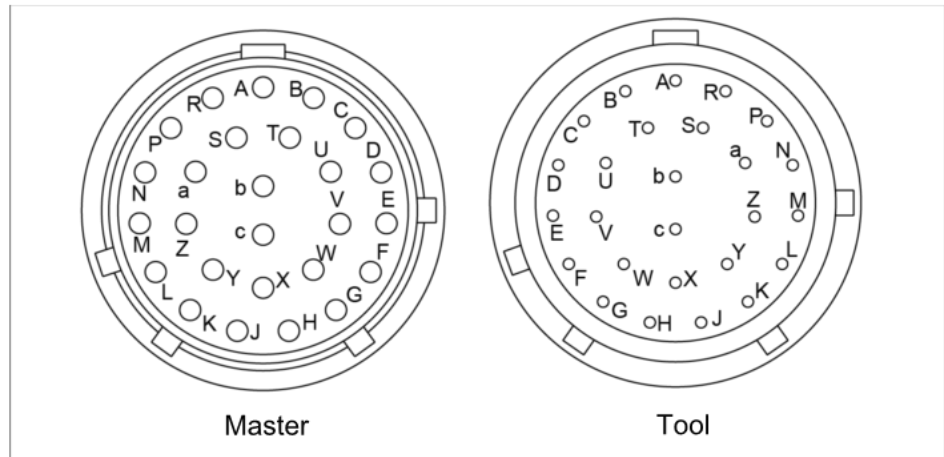
This only applies when no loads are on the connector and the pins are mounted, even if not all pins are assigned.

- Cable diameter 19-pin: min.  $\varnothing 6\text{mm}$  and max.  $\varnothing 12\text{mm}$
- Cable diameter 26-pin: min.  $\varnothing 9\text{mm}$  and max.  $\varnothing 16\text{mm}$



19 pin cable connector -26 cores - wire cross-section: 0.25 mm<sup>2</sup>

A	White	L	Grey / Pink
B	Brown	M	Red / Blue
C	Green	N	White / Green
D	Yellow	P	Brown / Green
E	Grey	R	White / Yellow
F	Pink	S	Yellow / Brown
G	Blue	T	White / Grey
H	Red	U	Grey / Brown
J	Black	V	White / Pink
K	Violet		



26 pin cable connector – 26 cores - wire cross-section: 0.25 mm<sup>2</sup>

A	White	P	Brown / Green
B	Brown	R	White / Yellow
C	Green	S	Yellow / Brown
D	Yellow	T	White / Grey
E	Grey	U	Grey / Brown
F	Pink	V	White / Pink
G	Blue	W	Pink / Brown
H	Red	X	White / Blue
J	Black	Y	Brown / Blue
K	Violet	Z	White / Red
L	Grey / Pink	a	Brown / Red
M	Red / Blue	b	White / Black
N	White / Green	c	Brown / Black