



Superior Clamping and Gripping



T|E|N|D|O® E compact \varnothing 16 **Hydraulic Expansion Toolholder Technology.**

The SCHUNK toolholding system for higher machining parameters in process reliable direct clamping.



TENDO E compact Ø 16

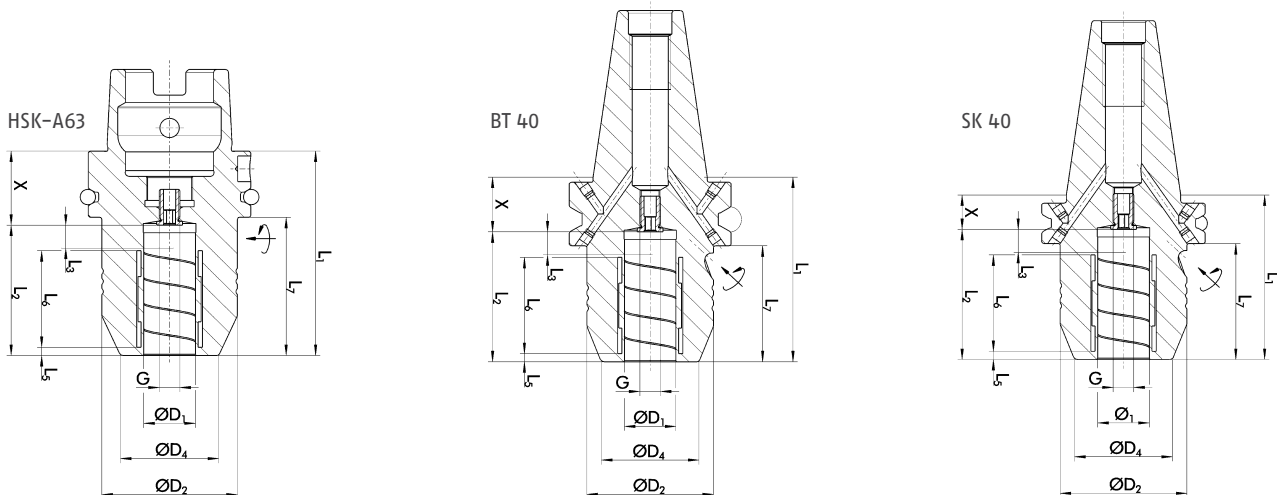
Shorter machining times. Faster pay back.

Change diameters now.

Higher machining parameters and shorter machining times boost your productivity.

The 7 winning hits with TENDO E compact:

- 1:0** **The torque monster** – Up to **60% greater torques** than conventional hydraulic expansion toolholders. (For Ø 16 up to 700 Nm with dry, up to 350 Nm with oily tool shanks)
- 2:0** **The precision master** – More than **70% better run-out accuracy** than ER collets.
- 3:0** **The nonstopper** – Up to **40% larger volume machining** possible before the tool has to be reground.
- 4:0** **The perfectionist** – Practically **100% reproducible tool change** < 0.003 mm.
- 5:0** **The smarter one** – Up to **40% longer service life** thanks to the oil shock-absorber effect.
- 6:0** **Amazingly simple – amazingly efficient!** Up to **80% faster tool** changing.
- 7:0** **The best bargain** – Up to **65% savings in procurement costs!**



Mounting	ID	D1	D2	D4	X	L1	L2	L3	L5	L6	L7	G	M _{min}	m	
HSK-A63	0206405	16.0	52.5	38.0	29.0	80.0	51.0	10.0	5.0	37.0	54.0	M8x1	350.0	1.3	9205650
SK 40	0206415	16.0	49.25	38.0	13.5	64.50	51.0	10.0	5.0	37.0	45.45	M8x1	350.0	1.2	9205650
BT 40	0206435	16.0	49.25	38.0	21.5	72.50	51.0	10.0	5.0	37.0	45.5	M8x1	350.0	1.3	9205650

© 2013 SCHUNK GmbH & Co. KG