



Technical data

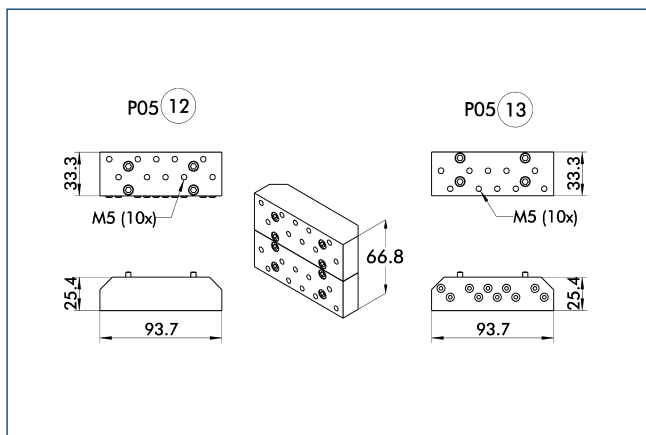
Description		SWO-P05-K	SWO-P14-K	SWO-P18-K	SWO-P186-K	SWO-P186A-K	SWO-P238-K
ID		9936895	9935830	9935826	9939024	9948321	9940578
Air connection to screw-on surface		radial	radial	radial	radial	axial	radial
Suitable adapter		SWO-P05-A	SWO-P14-A	SWO-P18-A	SWO-P186-A	SWO-P186A-A	SWO-P238-A
ID		9936896	9935825	9935827	9939025	9948322	9940580
Number of fluid feed-throughs		10	2	4	6	6	2
Connection feed-throughs		M5	G1/4"	G1/8"	G1/8"	G1/8"	G3/8"
Rate of flow at 6 bar (per channel)	[l/min]	250	1050	650	650	650	2450
max. pressure	[bar]	8	8	8	8	8	8

Description		SWO-P38-K	SWO-P38A-K	SWO-P48-K
ID		9935828	9937842	9961330
Air connection to screw-on surface		radial	axial	radial
Suitable adapter		SWO-P38-A	SWO-P38A-A	SWO-P48-A
ID		9935829	9937843	9961331
Number of fluid feed-throughs		4	4	4
Connection feed-throughs		G3/8"	G3/8"	G3/8"
Rate of flow at 6 bar (per channel)	[l/min]	2450	2450	2450
max. pressure	[bar]	8	8	8

① Compatible with sizes: SWS-040, SWS-041, SWS-071, SWS-076, SWS-110, SWS-160, SWS-300



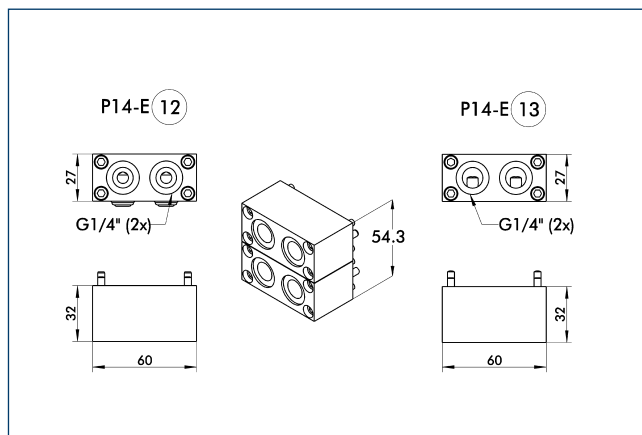
Combination SWO-P05-K and SWO-P05-A



12 Head side 13 Adapter side

Air connection radial to screw-on surface

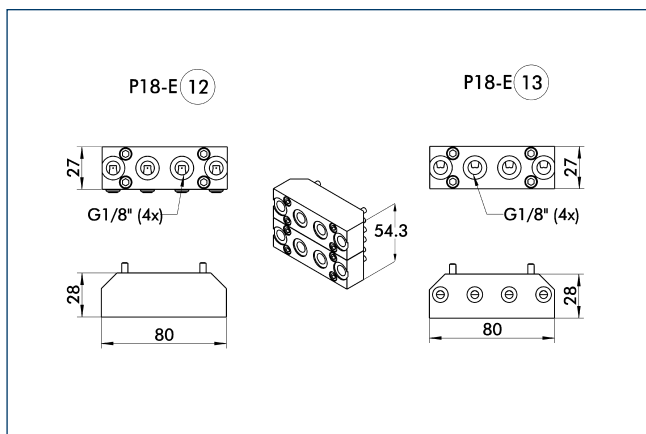
Combination SWO-P14-K and SWO-P14-A



12 Head side 13 Adapter side

Air connection radial to screw-on surface

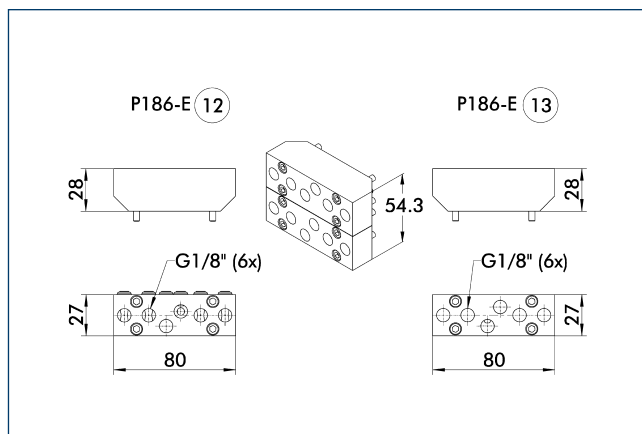
Combination SWO-P18-K and SWO-P18-A



12 Head side 13 Adapter side

Air connection radial to screw-on surface

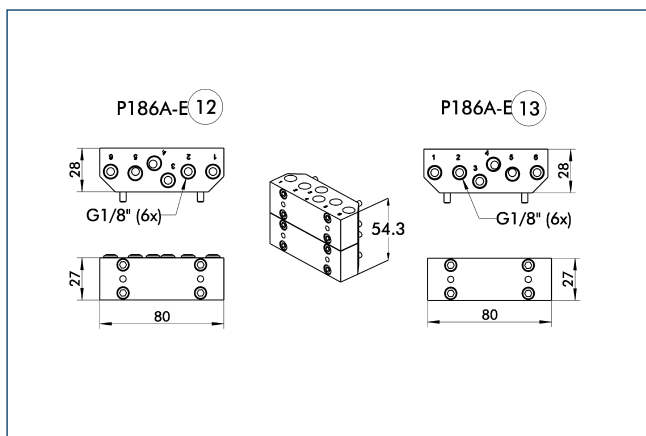
Combination SWO-P186-K and SWO-P186-A



12 Head side 13 Adapter side

Air connection radial to screw-on surface

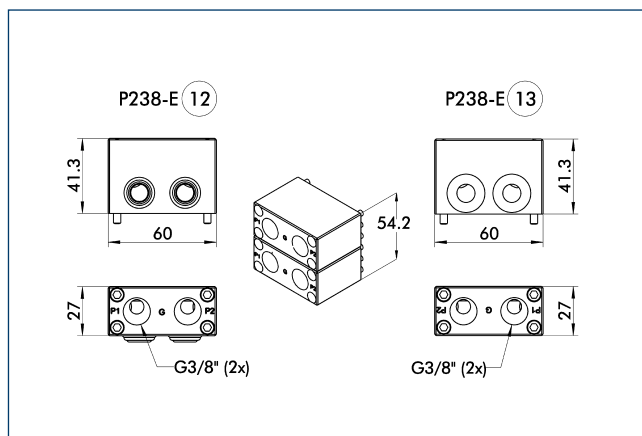
Combination SWO-P186A-K and SWO-P186A-A



12 Head side 13 Adapter side

Air connection axial to screw-on surface

Combination SWO-P238-K and SWO-P238-A



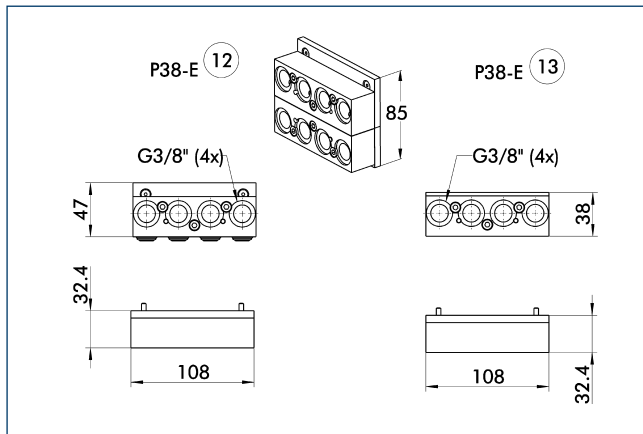
12 Head side 13 Adapter side

Air connection radial to screw-on surface

SWO-P

Robot Accessories | Changing | Pneumatic Options

Combination SWO-P38-K and SWO-P38-A

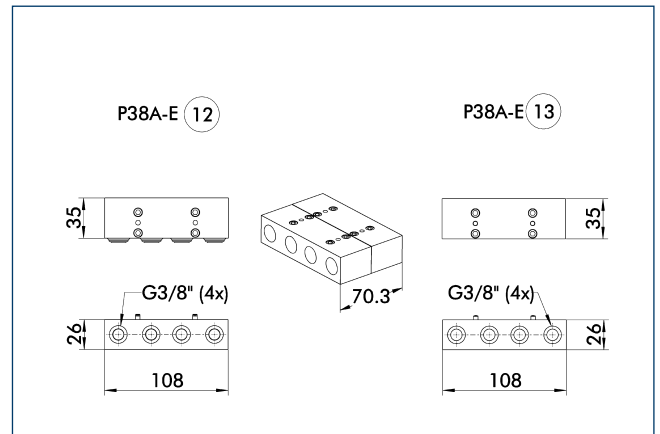


12 Head side

13 Adapter side

Air connection radial to screw-on surface

Combination SWO-P38A-K and SWO-P38A-A

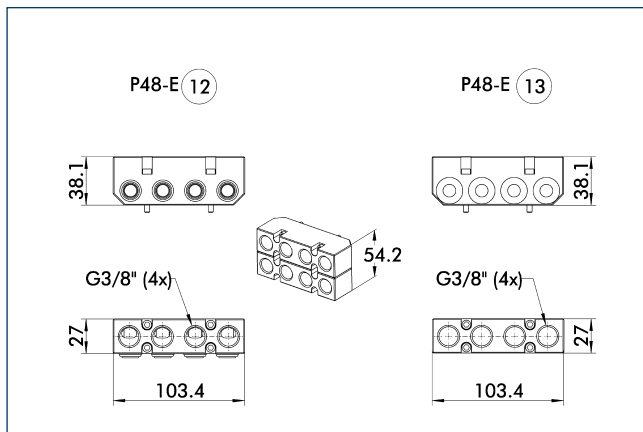


12 Head side

13 Adapter side

Air connection axial to screw-on surface

Combination SWO-P48-K and SWO-P48-A



12 Head side

13 Adapter side

Air connection radial to screw-on surface

