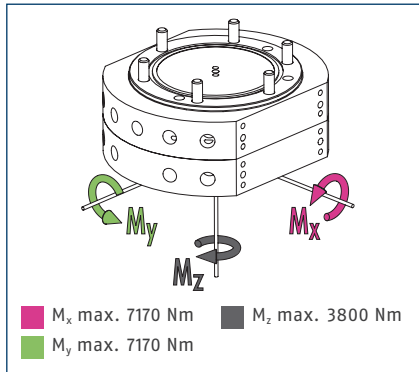


Superior Clamping and Gripping



Moment loading

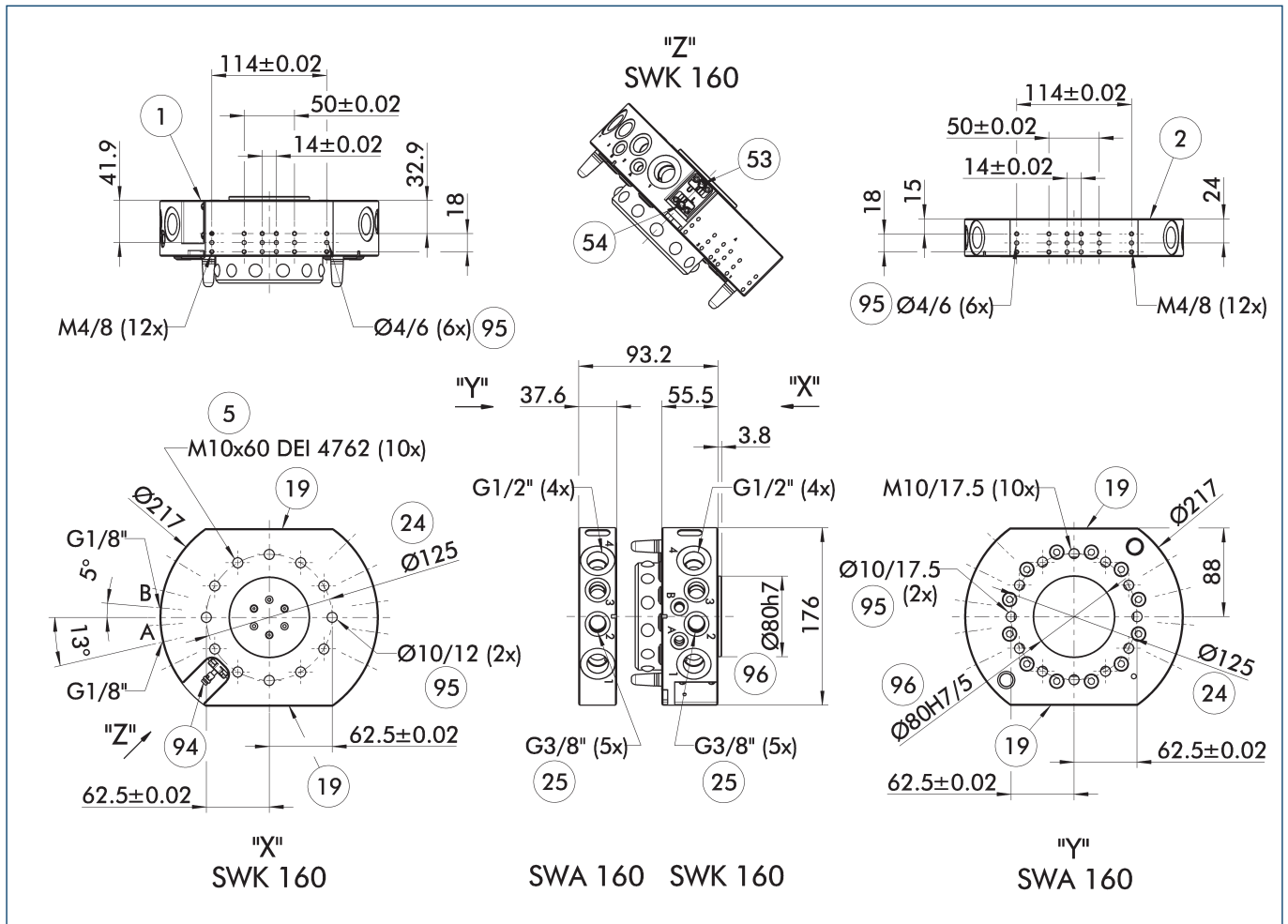


ⓘ This is the max. sum of all forces and moments (from acceleration forces and moments, process forces or moments, emergency stop situations, etc.) which are permitted to act on the change system for ensuring proper functioning.

Technical data

Description		SWK-160-000-000-SM	SWA-160-000-000
		Quick-change master	Quick-change adapter
ID		0302440	0302441
recommended handling weight	[kg]	300	300
Piston stroke monitoring		integrated	
Locking force	[N]	31000	31000
Repeat accuracy	[mm]	0.015	0.015
Weight	[kg]	6.44	2.86
max. locking distance	[mm]	2.54	2.54
Main connection lock / unlock		G1/8"	
max. permissible XY offset	[mm]	± 2	± 2
max. permissible angular offset	[°]	± 1	± 1
Robot-side connection		ISO 9409-1-125-10-M10	ISO 9409-1-125-10-M10
min./max. ambient temperature	[°C]	5/60	5/60
min./max. operating pressure	[bar]	4.5/6.9	4.5/6.9

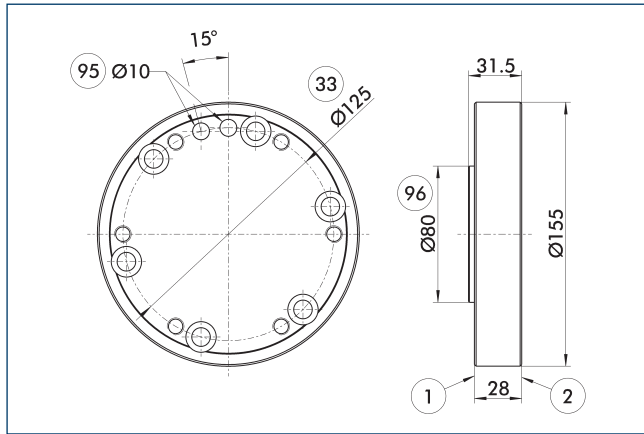
Main view



The drawing shows the basic design of the quick-change system without dimensional consideration of the options described below.

- A, a Air connection locked
- B, b Air connection unlocked
- ① Robot-side connection
- ② Tool-side connection
- ⑤ Through hole for connection with screws
- ⑬ Mounting surface for options
- ⑳ Bolt circle
- ㉑ Pneumatic feed-throughs
- ㉓ Monitoring Position unlocked
- ㉔ Monitoring Position locked
- ㉖ Optional proximity switch
- ㉗ Fit for centering pins
- ㉘ Fit for centering

Adapter plate ISO-A125-R



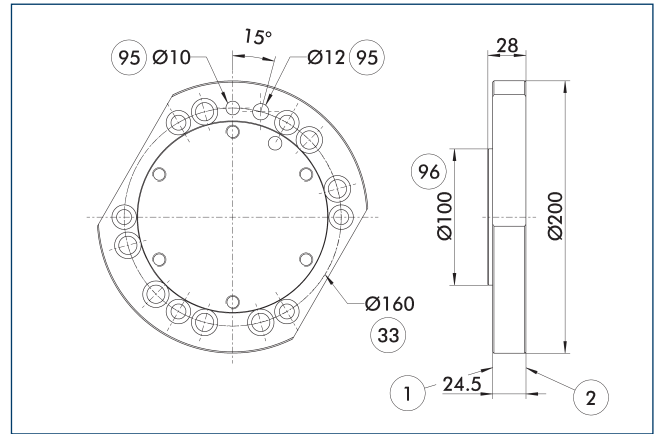
- ① Robot-side connection
- ② Tool-side connection
- ③③ DIN ISO-9409 bolt circle
- ⑨⑤ Fit for centering pins
- ⑨⑥ Fit for centering

Robot side adapter plate

Description	ID
Robot side	
A-SWK-150-ISO-A125	0302213

- ① Adapter plate for quick change master without piston stroke control

Adapter plate ISO-A160-M10/M12-R



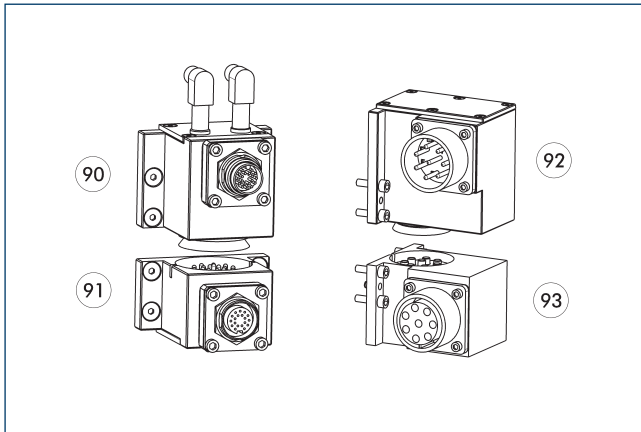
- ① Robot-side connection
- ② Tool-side connection
- ③③ DIN ISO-9409 bolt circle
- ⑨⑤ Fit for centering pins
- ⑨⑥ Fit for centering

Robot side adapter plate

Description	ID
Robot side	
A-SWK-150-ISO-A160-M10/M12	0302214

- ① Adapter plate for robots with M10 or M12 mounting patterns

Electrical feed-through modules



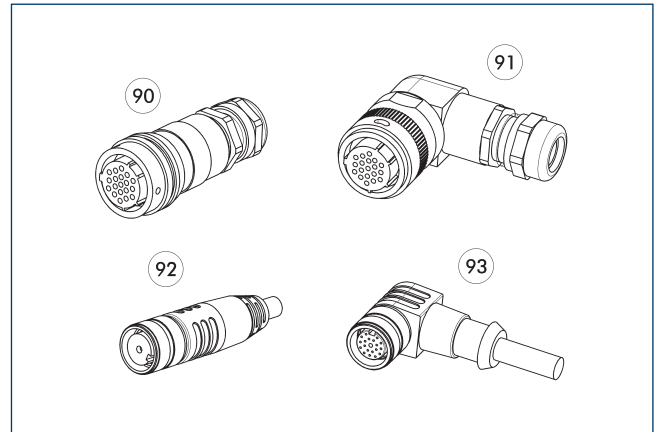
- ⑨⑩ E-module with metric threads, robot-side
 ⑨① E-module with mil-spec. threads, tool-side
 ⑨② E-module with mil-spec. threads, robot-side
 ⑨③ E-module with mil-spec. threads, tool-side

Modules for transmission of electrical signals from the robot through the tool changer to the tools.

Description	ID	No. Pins	Elec. Rating
			[V]
Robot side			
SWO-G19-K	9940649	19	250/3
SWO-G19W-K	9949312	15	250/3
SWO-G26-K	9941560	26	250/3
SWO-G26W-K	9956897	21	250/3
SWO-GF19-K	9948655	19	125/3
SWO-GF19W-K	9957467	15	125/3
SWO-MT8-K	9937157	8	500/20
SWO-R19-K	9935815	19	250/5
SWO-R19W-K	9942041	15	250/5
SWO-R26-K	9935819	26	250/3
SWO-R26W-K	9942076	22	250/3
SWO-R32-K	9941387	32	250/3
SWO-R32W-K	9942418	32	250/3
SWO-RF19-K	9948654	19	125/3
SWO-RF19W-K	9949325	15	125/3
Tool side			
SWO-G19-A	9940650	19	250/3
SWO-G26-A	9941561	26	250/3
SWO-GF19-A	9948658	19	125/3
SWO-MT8-A	9937158	8	500/20
SWO-R19-A	9935816	19	250/5
SWO-R26-A	9935820	26	250/3
SWO-R32-A	9941388	32	250/3
SWO-RF19-A	9948657	19	125/3

- ① For other modules and technical data, check catalog chapter „Options“ or visit our website.

Cable connector/cable extension



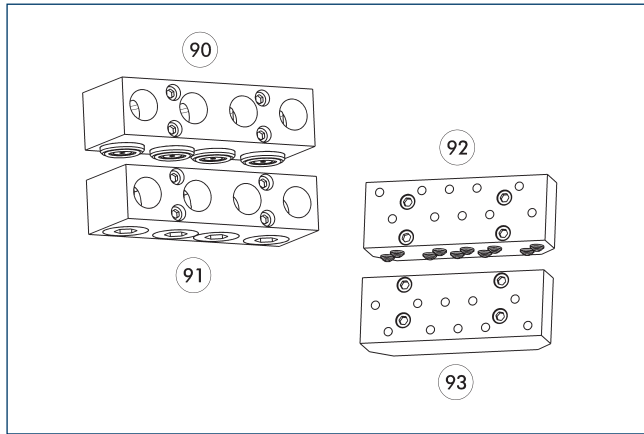
- ⑨⑩ Connection plug / socket straight
 ⑨① Connection plug / socket at an angle
 ⑨② Connection plug / socket straight with extension cable
 ⑨③ Connection plug / socket at an angle with extension cable

Other cable lengths on request.

Description	ID	Length
		[m]
Angled cable connector, robot-side		
KAS-19B-K-90-C	0301294	
KAS-26B-K-90-C	0301296	
KAS-36B-K-90	0301274	
Angled cable connector, tool-side		
KAS-19B-A-90-C	0301295	
KAS-26B-A-90-C	0301297	
KAS-36B-A-90	0301275	
Angled cable connector with cable, robot-side		
KV-10-SWK-19F-90	0302173	10
KV-5-SWK-19F-90	0302172	5
Angled cable connector with cable, tool-side		
KV-3-SWA-19F-90	0302175	3
Straight cable connector, robot-side		
KAS-08G-K-0	0301268	
KAS-19B-K-0-C	0301283	
KAS-26B-K-0-C	0301290	
KAS-36B-K-0	0301272	
Straight cable connector, tool-side		
KAS-08G-A-0	0301269	
KAS-19B-A-0-C	0301284	
KAS-26B-A-0-C	0301291	
KAS-36B-A-0	0301273	
Straight cable connector with cable, robot-side		
KV-10-SWK-19F-0	0302171	10
KV-5-SWK-19F-0	0302170	5
Straight cable connector with cable, tool-side		
KV-3-SWA-19F-0	0302174	3

- ① For other cable connections / extensions, please check chapter „Options“ or our website.

Pneumatic / fluid feed-through modules



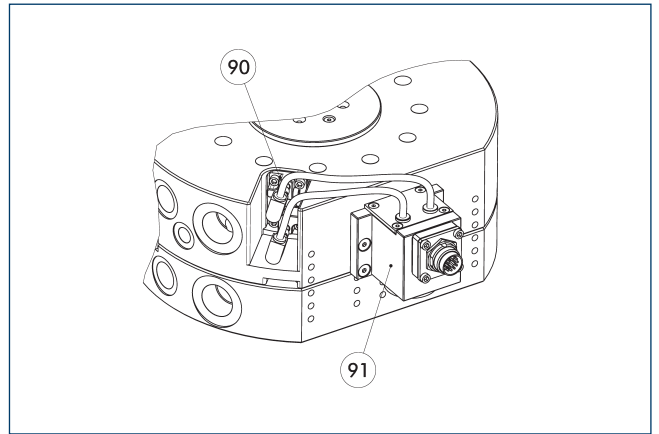
- 90 Self-sealing fluid module, robot-side
- 91 Self-sealing fluid module, tool-side
- 92 Pneumatic module, robot-side
- 93 Pneumatic module, tool-side

Modules for transmission of air and fluids from the robot, through the tool changer to the tools.

Description	ID	No. of fluid feed-throughs	Connection
Robot side			
SWO-FG2-K	9936817	2	G3/8"
SWO-FG4-K	9937333	4	G3/8"
SWO-P05-K	9936895	10	M5
SWO-P14-K	9935830	2	G1/4"
SWO-P186-K	9939024	6	G1/8"
SWO-P8M5-K	9872067	8	M5
Tool side			
SWO-FG2-A	9936818	2	G3/8"
SWO-FG4-A	9937334	4	G3/8"
SWO-P05-A	9936896	10	M5
SWO-P14-A	9935825	2	G1/4"
SWO-P186-A	9939025	6	G1/8"
SWO-P8M5-A	9872068	8	M5

① For other pneumatic and fluid modules, check catalog chapter „Options“ or visit our website.

Installation of feed through E-modules

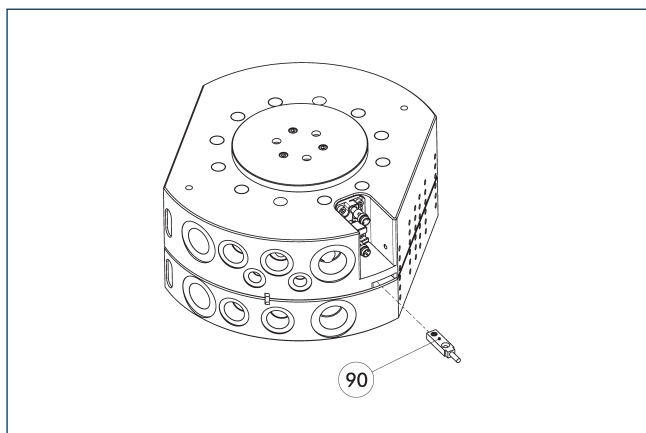


- 90 AS-SWK 160
- 91 Optional electrical module ...R-master with integrated sensor connection

The drawing shows the quick-change system with integrated piston stroke monitoring and built-in proximity switch; this is connected directly to the E-modules.

Description	ID	
Attachment kit for proximity switch		
AS-SWK-110/160	9957835	

Sensor system






90 Sensor for presence control

Description	ID	
Inductive Proximity Switches		
INK 8-SL	0302456	

① Two sensors (closer/S) are required for each unit and extension cables are available as an option. For sensor cables, note the minimum permissible bending radii. These are generally 35 mm.

SCHUNK GmbH & Co. KG
Spann- und Greiftechnik

Bahnhofstr. 106 – 134
D-74348 Lauffen/Neckar
Tel. +49-7133-103-0
Fax +49-7133-103-2239
info@de.schunk.com
www.schunk.com

 www.youtube.com/SCHUNKHQ
 www.twitter.com/SCHUNK_HQ
 www.facebook.com/SCHUNK.HQ

