

GWB 100

Spring spare parts package

Repair Instructions

SCHUNK GmbH & Co. KG | Spann- und Greiftechnik
D-74348 Lauffen/Neckar | Bahnhofstr. 106 – 134
Tel. +49-7133-103-0 | Fax +49-7133-103-2399
info@de.schunk.com | www.schunk.com

Superior Clamping and Gripping



Copyright

This manual remains the copyrighted property of SCHUNK GmbH & Co. KG. It is solely supplied to our customers and operators of our products and forms part of the product. This documentation may not be duplicated or made accessible to third parties, in particular competitive companies, without our prior permission.

Technical changes

We reserve the right to make alterations for the purpose of technical improvement.

Document number:1005273

Edition:01.00 | 23/01/2017 | de - en

© SCHUNK GmbH & Co. KG
All rights reserved.



Reg. No. 003496 QM08



Reg. No. 003496 QM08

1 Intended use

If the gripping force without attached compressed air decreases, the spring needs to be changed and the product tested for wear.

2 Scope of Delivery

Designation	GWB 100
Spring [pcs.]	1
Screw [pcs.]	1
Safety ring [pcs.]	1
Complete sealing kit [pcs.]	1

3 Applicable documents

- Catalog data sheet of the product *
- Assembly and operating manual of the product *

The documents marked with an asterisk (*) can be downloaded on our homepage www.schunk.com.

4 Notes on particular risks



WARNING

Risk of injury due to sudden movements!

If the energy supply is switched on or if residual energy is still present in the system, this can cause components to move unexpectedly, which may result in serious injuries.

- Switch off energy supply and secure against re-connection.
- Ensure that no residual energy remains in the system.



WARNING

Risk of injury due to spring forces!

Products that use spring force or have gripping force maintenance contain parts that are under spring tension. This can cause components to move unexpectedly when being dismantled, which may result in serious injuries.

- Carefully dismantle the product.

5 Tools/auxiliary tools

- Hexagon socket wrench
- Safety ring pliers
- Clamping device

6 Recommended lubricants

Lubricant point	Lubricant
Metallic sliding surfaces	Molykote BR 2 plus
All seals	Renolit HLT 2
Bores on the piston	Renolit HLT 2

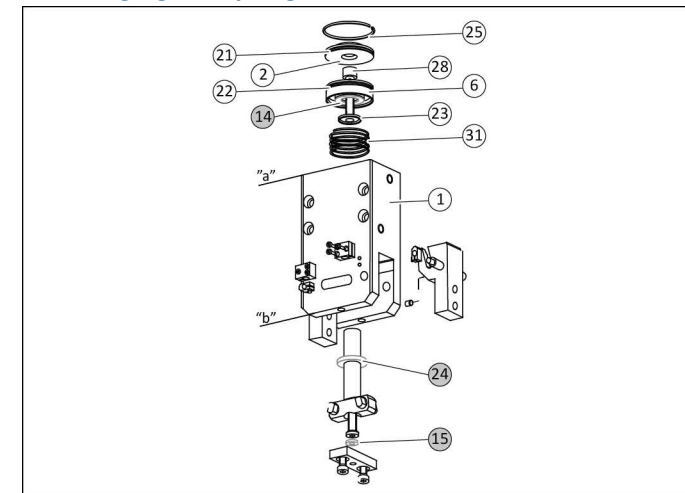
7 Tightening torque

Item	Designation	GWB 100
28	Screw [Nm]	49

8 Threadlocker

If not stated otherwise, screws can be secured using Loctite 243 or a similar adhesive.

9 Changing the springs



Dismantling

- Remove all compressed air lines.
- Disassemble gripper from the machine/automated system.
- Clamp grippers between position "a" and "b" into a clamping device.

NOTE

The cover (2) may get stuck in the housing (1). To loosen the cover (2), carefully apply compressed air to the gripper.

- Remove safety ring (25) and take the cover (2) out of the housing (1).

NOTE

To slowly relieve the tension around the springs (31), loosen the screw (28) bit by bit. If the cylinder piston (6) gets stuck, loosen it by hitting it gently.

- **WARNING! The parts are under spring tension, (F = 500 N).** Loosen screw (28) and carefully relieve the pressure on the gripper.
- Remove cylinder piston (6), ring (14) and spring (31) from the housing (1).

Assembly

When assembling, use the parts from the spare part package.

- Clean all parts thoroughly, check for damage and wear and grease with a lint-free cloth or brush.
- If necessary, replace seals, illustrated in gray in the graphic.
- Insert cylinder piston (6), ring (14) and spring (31) into the housing (1).
- Clamp grippers between position "a" and "b" into a clamping device.
- Tighten screw (28).
- Insert cover (2) into the housing (1) and secure with safety ring (25).
- Assemble gripper on the machine/automated system.
- Secure all compressed air lines.