

OSE 14-57

Cover spare parts package

Repair Instructions

SCHUNK GmbH & Co. KG | Spann- und Greiftechnik
D-74348 Lauffen/Neckar | Bahnhofstr. 106 – 134
Tel. +49-7133-103-0 | Fax +49-7133-103-2399
info@de.schunk.com | www.schunk.com

Superior Clamping and Gripping



Copyright

This manual remains the copyrighted property of SCHUNK GmbH & Co. KG. It is solely supplied to our customers and operators of our products and forms part of the product. This documentation may not be duplicated or made accessible to third parties, in particular competitive companies, without our prior permission.

Technical changes

We reserve the right to make alterations for the purpose of technical improvement.

Document number:1005278

Edition:01.00 | 23/01/2017 | de - en

© SCHUNK GmbH & Co. KG
All rights reserved.



Reg. No. 003496 QM08



Reg. No. 003496 QM08

1 Intended use

If covers are damaged, the shock absorbers will need to be checked. In most cases, the cause for this defect is defective shock absorbers. Components may break in extreme cases.

2 Scope of Delivery

The spare parts packet includes both lateral covers as well as all small components needed for repair work.

The spare parts package for changing the shock absorbers and the sealing kit for maintenance work are also contained in the scope of delivery.

3 Applicable documents

- Catalog data sheet of the product *
- Assembly and operating manual of the product *

The documents marked with an asterisk (*) can be downloaded on our homepage www.schunk.com.

4 Notes on particular risks



WARNING

Risk of injury due to sudden movements!

If the energy supply is switched on or if residual energy is still present in the system, this can cause components to move unexpectedly, which may result in serious injuries.

- Switch off energy supply and secure against re-connection.
- Ensure that no residual energy remains in the system.

5 Tools/auxiliary tools

- Hexagon socket wrench
- Safety ring pliers
- Wrench

6 Recommended lubricants

not required

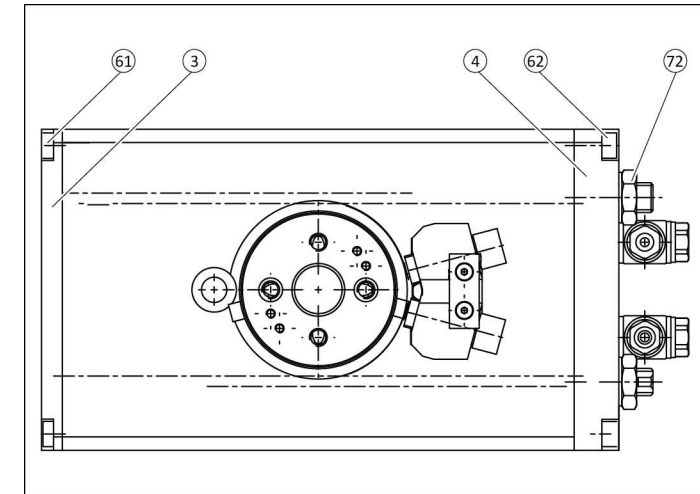
7 Tightening torque

Item	Designation	OSE					
		14	22	34	40	45	57
61	Screw [Nm]	2.1	5.3	11	6.1	11	18
62	Screw [Nm]	2.1	18	18	43	43	43
72	Nut [Nm]	18	43	43	85	150	150

8 Threadlocker

If not stated otherwise, screws can be secured using Loctite 243 or a similar adhesive.

9 Changing the cover



Dismantling

- Remove all compressed air lines.
- Disassemble gripper from the machine/automated system.
- Unscrew nuts (72).
- Remove screws (62) and take off cover (4).
- Remove screws (61) and take off cover (3).

Assembly

When assembling, use the parts from the spare part package.

- If necessary, replace seals.
- Fasten the cover (3) with the screws (61).
- Fasten the cover (4) with the screws (62).
- Unscrew nuts (72).
- Assemble gripper on the machine/automated system.
- Secure all compressed air lines.