

PWG 65-230

Gripper jaw spare parts package

Repair Instructions

SCHUNK GmbH & Co. KG | Spann- und Greiftechnik
D-74348 Lauffen/Neckar | Bahnhofstr. 106 – 134
Tel. +49-7133-103-0 | Fax +49-7133-103-2399
info@de.schunk.com | www.schunk.com

Superior Clamping and Gripping



Copyright

This manual remains the copyrighted property of SCHUNK GmbH & Co. KG. It is solely supplied to our customers and operators of our products and forms part of the product. This documentation may not be duplicated or made accessible to third parties, in particular competitive companies, without our prior permission.

Technical changes

We reserve the right to make alterations for the purpose of technical improvement.

Document number:1005292

Edition:00.00 | 23/01/2017 | de - en

© SCHUNK GmbH & Co. KG
All rights reserved.



1 Intended use

If the gripper finger has some clearance, if the positioning is incorrect or if movement is asymmetrical, the gripper finger will need to be changed. Expansion cracks or enlargement of the guide groove are the most frequent indicators of a defective gripper finger. The cause for this defect is often a collision. After a collision, the piston rod may also be damaged.

2 Scope of Delivery

Designation	PWG 65-230				
	65	90	130	170	230
Gripper jaws [pcs.]	1	1	1	1	1
Set-screw [pcs.]	1	1	1	1	1
Bolts [pcs.]	1	1	1	1	1
Screw [pcs.]	3	3	3	3	3
Switching lug [pcs.]	1	1	1	1	1
Holder with stop [pcs.]	1	1	1	1	1

3 Applicable documents

- Catalog data sheet of the product *
- Assembly and operating manual of the product *

The documents marked with an asterisk (*) can be downloaded on our homepage www.schunk.com.

4 Notes on particular risks



WARNING

Risk of injury due to sudden movements!

If the energy supply is switched on or if residual energy is still present in the system, this can cause components to move unexpectedly, which may result in serious injuries.

- Switch off energy supply and secure against re-connection.
- Ensure that no residual energy remains in the system.

5 Tools/auxiliary tools

- Hexagon socket wrench
- Screwdriver

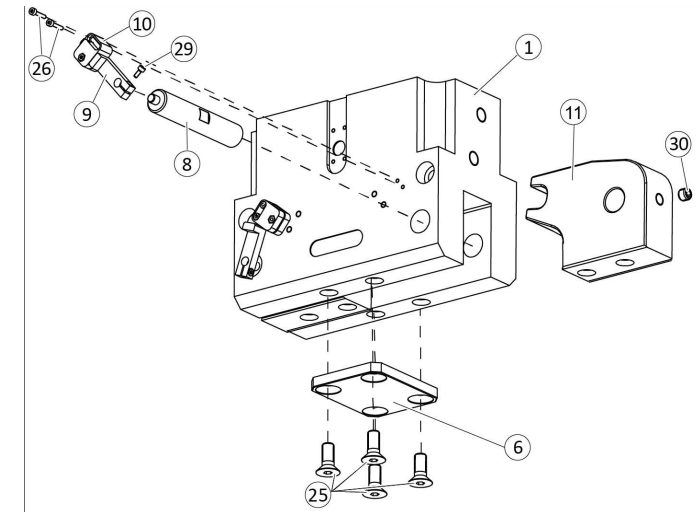
6 Recommended lubricants

Lubricant point	Lubricant
Metallic sliding surfaces	microGLEIT GP 360
All seals	Renolit HLT 2
Bores on the piston	Renolit HLT 2

7 Tightening torque

Item	Designation	PWG 65-230				
		65	90	130	170	230
25	Screw[Nm]	1.2	3.1	10	25	49
30	Set-screw[Nm]	1.2	6.1	10	25	25

8 Changing the gripper jaw



Dismantling

- Remove all compressed air lines.
- Disassemble gripper from the machine/automated system.
- Unscrew and remove the screws (25) and remove the plate (6).
- Unscrew and remove the screws (26) and remove the holder (10) for proximity switches.
- Unscrew and remove the screws (29) and remove the switching lug(9).
- Loosen the set-screws (30) until the bolt (8) can be pushed out.
- Remove the gripper jaw (11) from the housing (1).

Assembly

When assembling, use the parts from the spare part package.

- Clean all parts thoroughly, check for damage and wear and grease with a lint-free cloth or brush.
- Insert the gripper jaw (11) into the housing (1).
- **NOTICE! Make sure the installation position of the bolt (8) is correct.** Insert the bolt (8) into the housing (1) in such a way that the groove is over the bore hole for the set-screw (30).
- Screw the set-screw (30) into the gripper jaw (7).
- Secure switching lug (9) with screw (29).
- Tighten holder for proximity switches (10) with screws (26).
- Secure switching lug (9) with screws (29).
- Assemble gripper on the machine/automated system.
- Secure all compressed air lines.