



AGE-F-XY-050 without springs

Compensation unit with roller guidance and central locking (without springs, without rotation)

Technical data

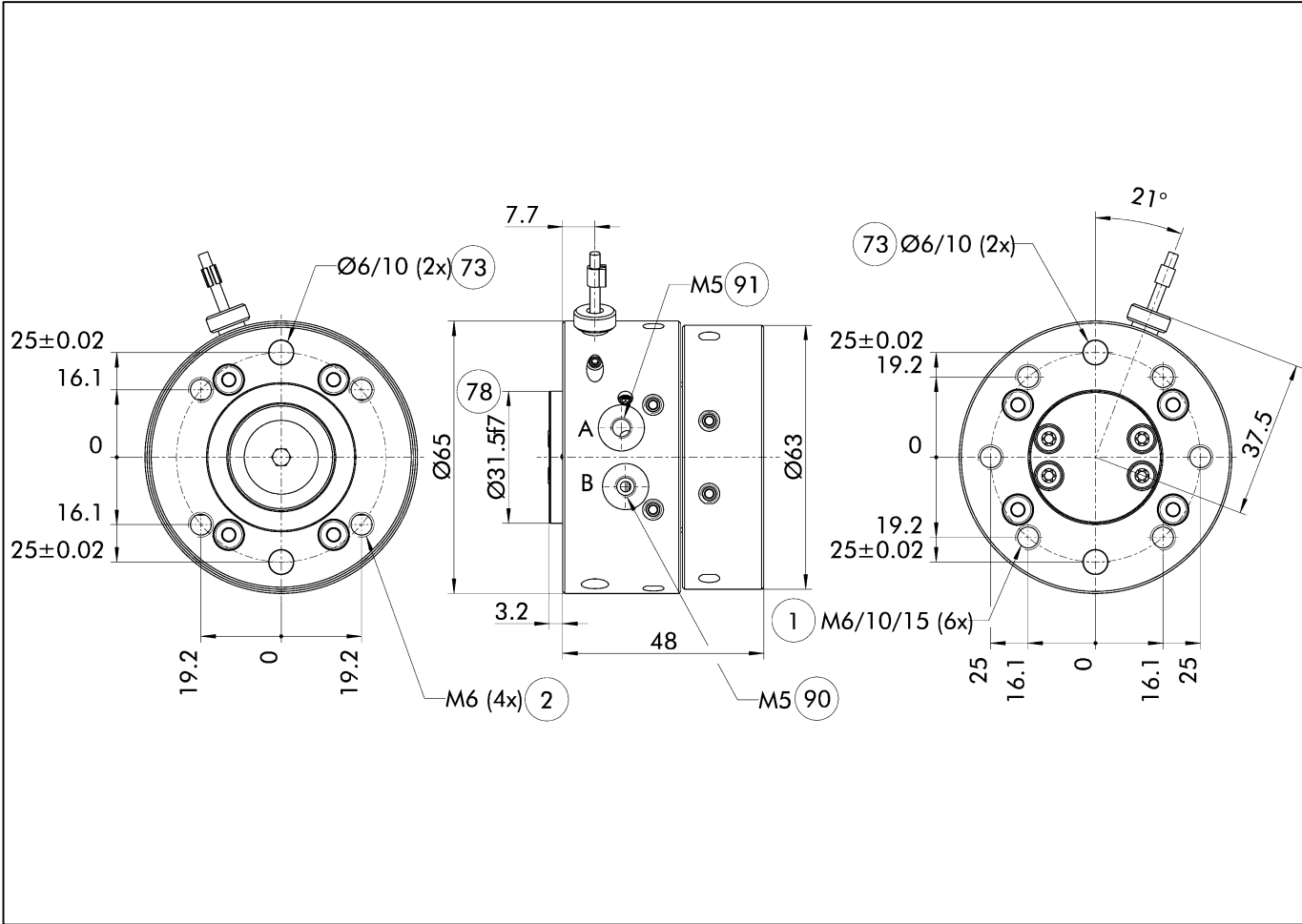
- Compensation stroke XY $\pm 1,5$ mm (adjustable)
- max. workpiece weight vertical 6 kg
- max. workpiece weight horizontal 4 kg
- Mass approx. 0,55 kg
- Central locking (from closure)
- without rotation
- Optional: with monitoring for lock and unlock condition (inductive proximity switch)

Please contact us with your individual requirement.
You can reach the Robot Accessories Team at:

Robot Accessories Hotline +49-7133-103-2990
E-mail: roboterzubehoer@de.schunk.com

AGE-F-XY-050 without springs

Customer specific compensation unit



- 1 Robot-side connection
- 2 Tool-side connection
- 73 Fit for centering pin
- 78 Fit for centering
- 90 Air connection locked
- 91 Air connection unlocked



J. Lehmann

Jens Lehmann, deutsche Torwartlegende,
 seit 2012 SCHUNK-Markenbotschafter
 für sicheres, präzises Greifen und Halten.
schunk.com/Lehmann

SCHUNK GmbH & Co. KG
 Spann- und Greiftechnik

Bahnhofstr. 106 - 134
 D-74348 Lauffen/Neckar
 Tel. +49-7133-103-0
 Fax +49-7133-103-2399
info@de.schunk.com

 schunk.com
[youtube.com/schunkhq](https://www.youtube.com/schunkhq)
twitter.com/schunk_hq
[facebook.com/schunk.hq](https://www.facebook.com/schunk.hq)
[schunk.com/lehmann](https://www.linkedin.com/company/schunk)

