



Superior Clamping and Gripping



Product Information

Plastic inserts QUENTES

QUENTES

Plastic inserts

Process-reliable. Stable. Gentle.

Plastic inserts Quentes

for gentle clamping of sensitive workpieces and increase of the static friction.

Field of application

variable clamping tasks, for sensitive workpieces

Advantages – Your benefits

High coefficient of friction appr. 0.3 – 0.4 by using a glass fiber reinforced plastic

Gentle clamping of very fine surfaces, no formation of clamping marks, excellently suitable for ground or surface-treated components

Cost-effective system

High stability due to the aluminum supporting structure of the supporting jaw

Complete workpiece contact for deformation-free clamping of machined components.



Options and special information

Material: Clamping inserts of glass fiber reinforced plastic

Application example



① QUINTES fiberglass jaws

② PGN-plus 2-finger parallel gripper

③ Rotary Actuator SRU-plus

SCHUNK offers more ...

The following components make the product QUINTES even more productive – the suitable addition for the highest functionality, flexibility, reliability, and controlled production.



Jaw blanks



PGN-plus 2-finger parallel gripper



PZN-plus 3-finger centric gripper

① Additional information regarding the products can be found on the following product pages or at www.schunk.com. Please contact us for further information: SCHUNK technical hotline +49-7133-103-2696

QUENTES 5-10

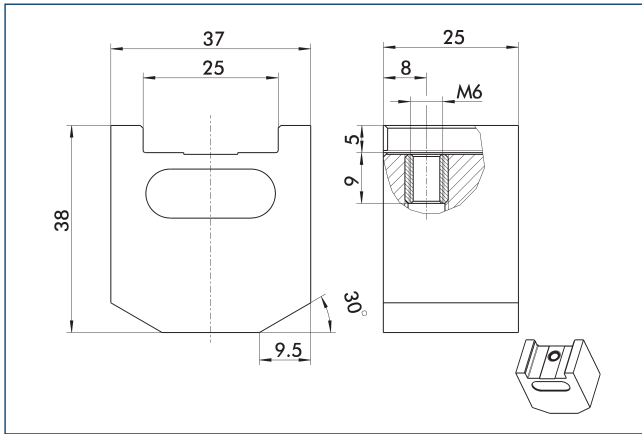
Plastic inserts



Technical data

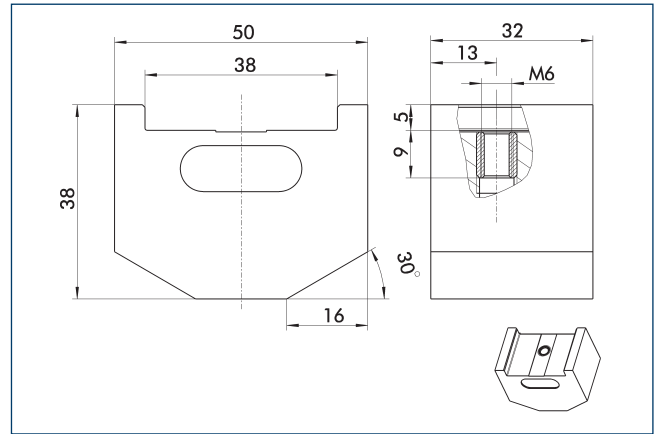
Description		Quentes 5	Quentes 10
ID		0300760	0300761
Weight	[kg]	0.13	0.28
Material		glass reinforced plastic	glass reinforced plastic

QUENTES 5



The drawing shows the unit in the basic version.



QUENTES 10



The drawing shows the unit in the basic version.

SCHUNK GmbH & Co. KG
Spann- und Greiftechnik

Bahnhofstr. 106 – 134
D-74348 Lauffen/Neckar
Tel. +49-7133-103-0
Fax +49-7133-103-2239
info@de.schunk.com
www.schunk.com

 www.youtube.com/SCHUNKHQ
 www.twitter.com/SCHUNK_HQ
 www.facebook.com/SCHUNK.HQ



J. Lehmann

Jens Lehmann, German goalkeeper legend, SCHUNK brand ambassador since 2012 for precise gripping and safe holding.
www.gb.schunk.com/Lehmann