



Co-act EGP for YASKAWA HC 10 (PNP)

Gripping unit suitable for collaborating robots with the specific connection to the YASKAWA HC 10 (PNP)

Your advantages and benefits

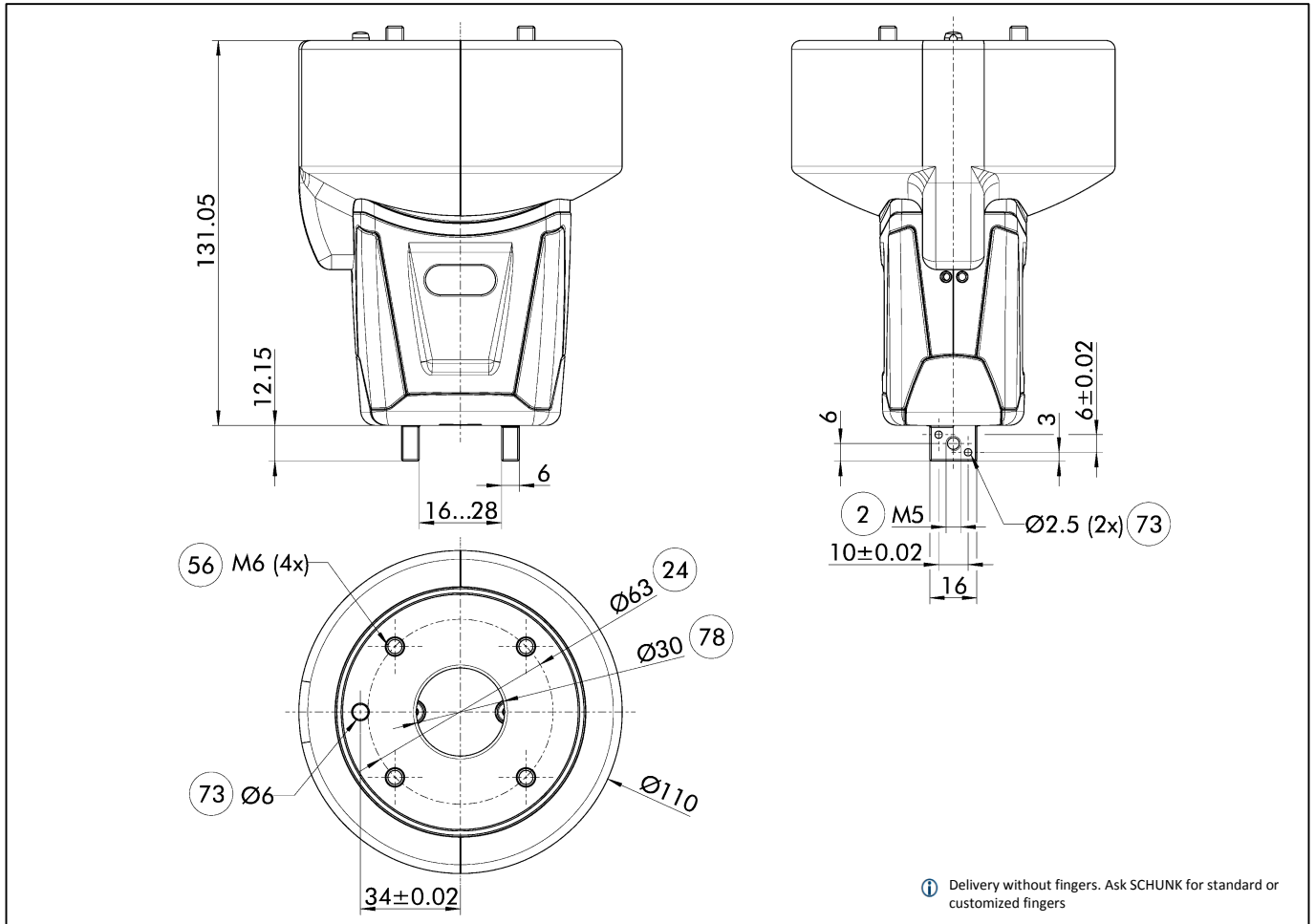
- Gripping unit for collaborative robot
- Plug & Work with YASKAWA HC 10 (PNP)
- Control via digital I/O

Technical data

• ID	1325126
• Size	40
• Stroke per jaw	6 mm
• min. / max. gripping force	35 / 140 N
• max. admissible finger length	50 mm
• Weight	0,69 kg
• Mechanical interface	robot specific
• Nominal voltage	24 V DC
• Electrical interface	Internal plug (switching principle PNP)
• Sensors	Inductive proximity switches

Please contact us with your individual requirement.
You can reach the Co-act Team at:

Co-act Team Hotline +49-7133-103-3444
E-mail: co-act-team@de.schunk.com



① Delivery without fingers. Ask SCHUNK for standard or customized fingers

- ② Finger connection
- ⑦③ Fit for centering pins
- ②④ Bolt circle
- ⑦⑧ Fit for centering
- ⑤⑥ Included in the scope of delivery



J. Lehmann

Jens Lehmann, deutsche Torwartlegende,
seit 2012 SCHUNK-Markenbotschafter
für sicheres, präzises Greifen und Halten.
schunk.com/Lehmann