



## Co-act EGP for FANUC CR4-iA/ CR7-iA/ CR7-iA/L

Gripping unit suitable for collaborating robots with the specific connection to the FANUC CR4-iA/ CR7-iA/ CR7-iA/L

### Your advantages and benefits

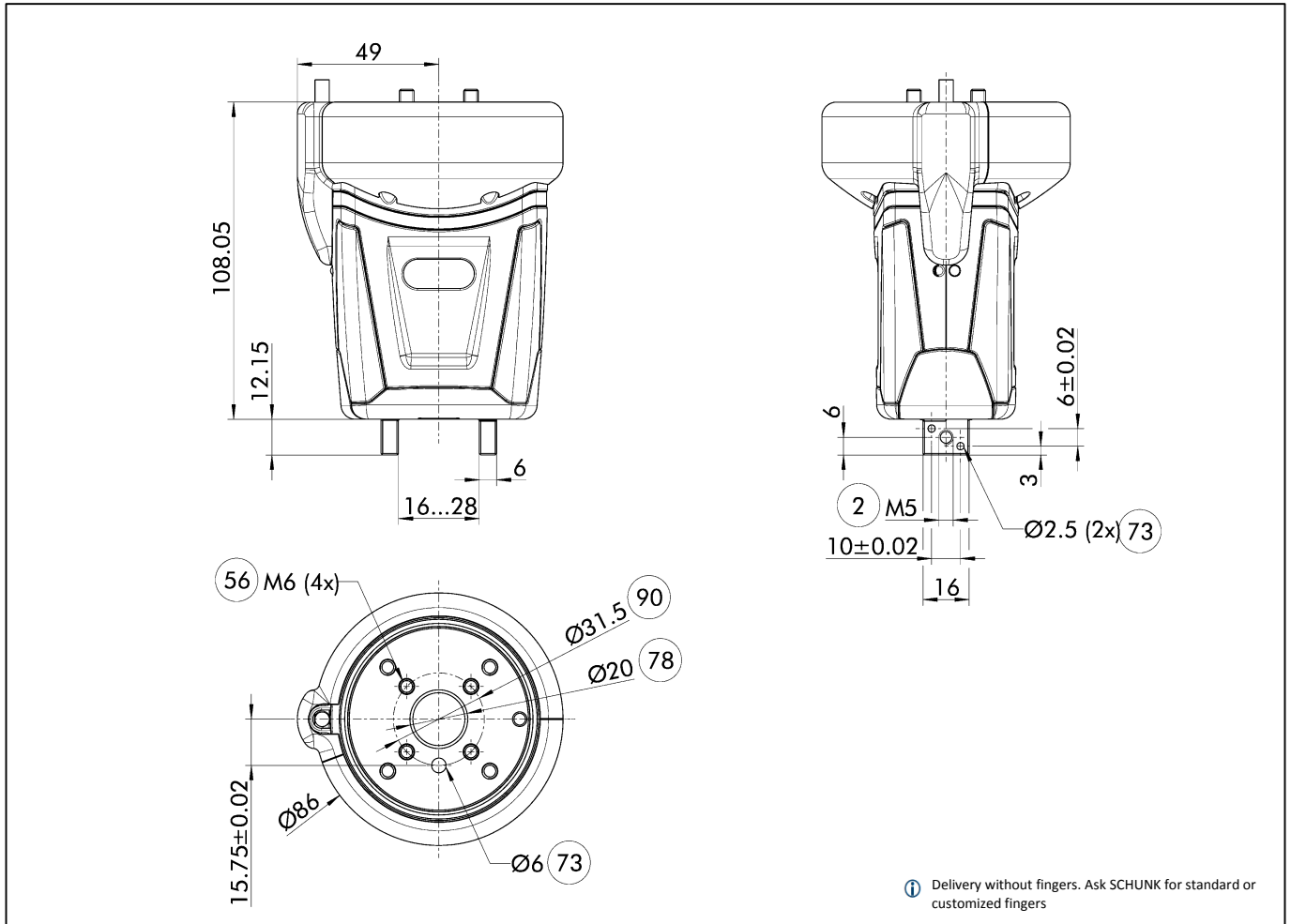
- Gripping unit for collaborative robot
- Plug & Work with FANUC CR4-iA/ CR7-iA/ CR7-iA/L
- Control via digital I/O

### Technical data

• ID	1322019
• Size	40
• Stroke per jaw	6 mm
• min. / max. gripping force	35 / 140 N
• max. admissible finger length	50 mm
• Weight	0,75 kg
• Mechanical interface	EN ISO-9409-1-31,5-4-M5
• Nominal voltage	24 V DC
• Electrical interface	EE Interface
• Sensors	Inductive proximity switches

Please contact us with your individual requirement.  
You can reach the Co-act Team at:

Co-act Team Hotline +49-7133-103-3444  
E-mail: [co-act-team@de.schunk.com](mailto:co-act-team@de.schunk.com)



- 2 Finger connection
- 56 Included in the scope of delivery
- 73 Fit for centering pins
- 78 Fit for centering
- 90 Bolt circle DIN-ISO-9409



*J. Lehmann*

Jens Lehmann, deutsche Torwartlegende,  
seit 2012 SCHUNK-Markenbotschafter  
für sicheres, präzises Greifen und Halten.  
[schunk.com/Lehmann](http://schunk.com/Lehmann)