



Co-act EGP for ABB YuMi

Gripping unit suitable for collaborating robots with the specific connection to the ABB YuMi

Your advantages and benefits

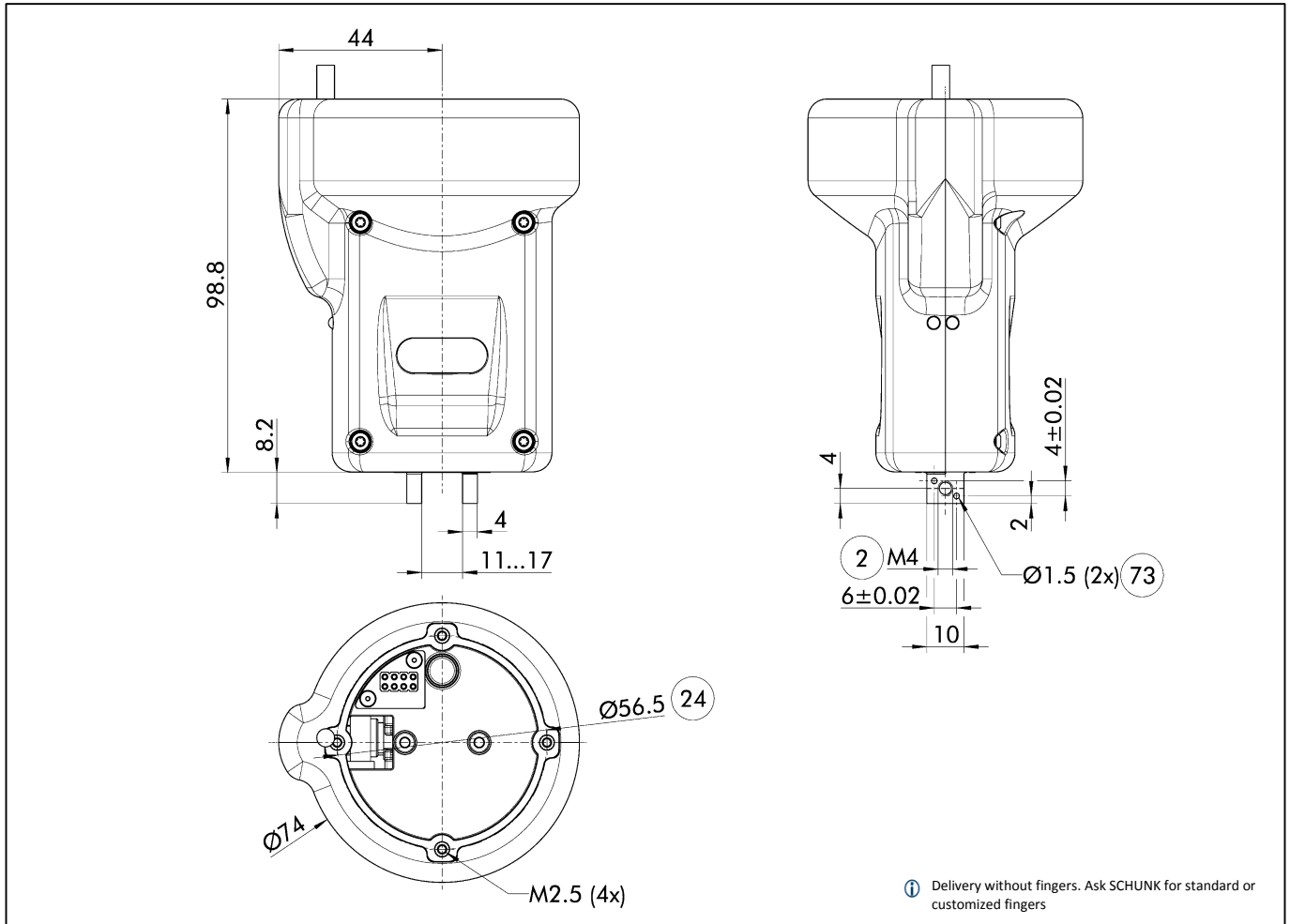
- Gripping unit for collaborative robot
- Plug & Work with ABB YuMi
- Control via digital I/O

Technical data

| | |
|---------------------------------|------------------------------|
| • ID | 1323826 |
| • Size | 25 |
| • Stroke per jaw | 3 mm |
| • min. / max. gripping force | 20 / 40 N |
| • max. admissible finger length | 32 mm |
| • Weight | 0,20 kg |
| • Mechanical interface | robot specific |
| • Nominal voltage | 24 V DC |
| • Electrical interface | Direct connection |
| • Sensors | Inductive proximity switches |

Please contact us with your individual requirement.
You can reach the Co-act Team at:

Co-act Team Hotline +49-7133-103-3444
E-mail: co-act-team@de.schunk.com



2 Finger connection

73 Fit for centering pins

24 Bolt circle



J. Lehmann

Jens Lehmann, deutsche Torwartlegende,
seit 2012 SCHUNK-Markenbotschafter
für sicheres, präzises Greifen und Halten.
schunk.com/Lehmann

SCHUNK GmbH & Co. KG
Spann- und Greiftechnik

Bahnhofstr. 106 - 134
D-74348 Lauffen/Neckar
Tel. +49-7133-103-0
Fax +49-7133-103-2399
info@de.schunk.com

schunk.com
 youtube.com/schunkhq
 twitter.com/schunk_hq
 facebook.com/schunk.hq
 schunk.com/lehmann

