



Co-act MPG-plus for Universal Robots UR3/ UR5/ UR10

Gripping unit suitable for collaborating robots with the specific connection to the Universal Robots UR3/ UR5/ UR10

Your advantages and benefits

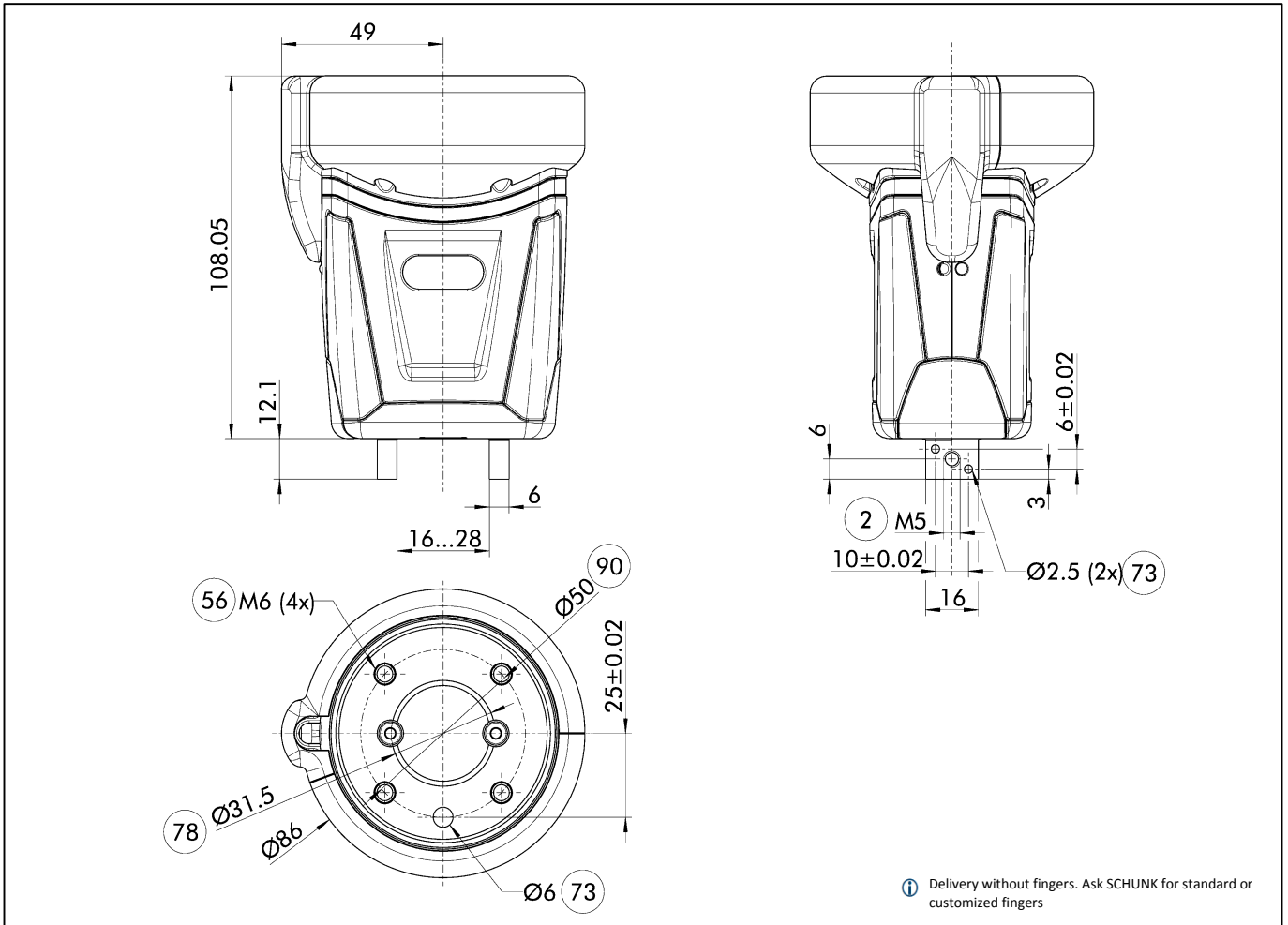
- Gripping unit for collaborative robot
- Plug & Work with Universal Robots UR3/ UR5/ UR10

Technical data

• ID	1319033
• Size	40
• Nominal operating pressure	6 bar
• Stroke per jaw	6 mm
• Closing / opening force at 6 bar	135 / 110 N
• max. admissible finger length	50 mm
• Weight	0,52 kg
• Mechanical interface	EN ISO-9409-1-50-4-M6
• Nominal voltage	24 V DC
• Electrical interface	open wires
• Sensors	Inductive proximity switches

Please contact us with your individual requirement.
You can reach the Co-act Team at:

Co-act Team Hotline +49-7133-103-3444
E-mail: co-act-team@de.schunk.com



- ② Finger connection
- ⑤⑥ Included in the scope of delivery
- ⑦③ Fit for centering pins
- ⑦⑧ Fit for centering
- ⑨⑩ Bolt circle DIN-ISO-9409



J. Lehmann

Jens Lehmann, deutsche Torwartlegende,
seit 2012 SCHUNK-Markenbotschafter
für sicheres, präzises Greifen und Halten.
schunk.com/Lehmann