



SWS-046

Quick-change system with 50 kg payload and four mounting flats for optional modules

Your advantages and benefits

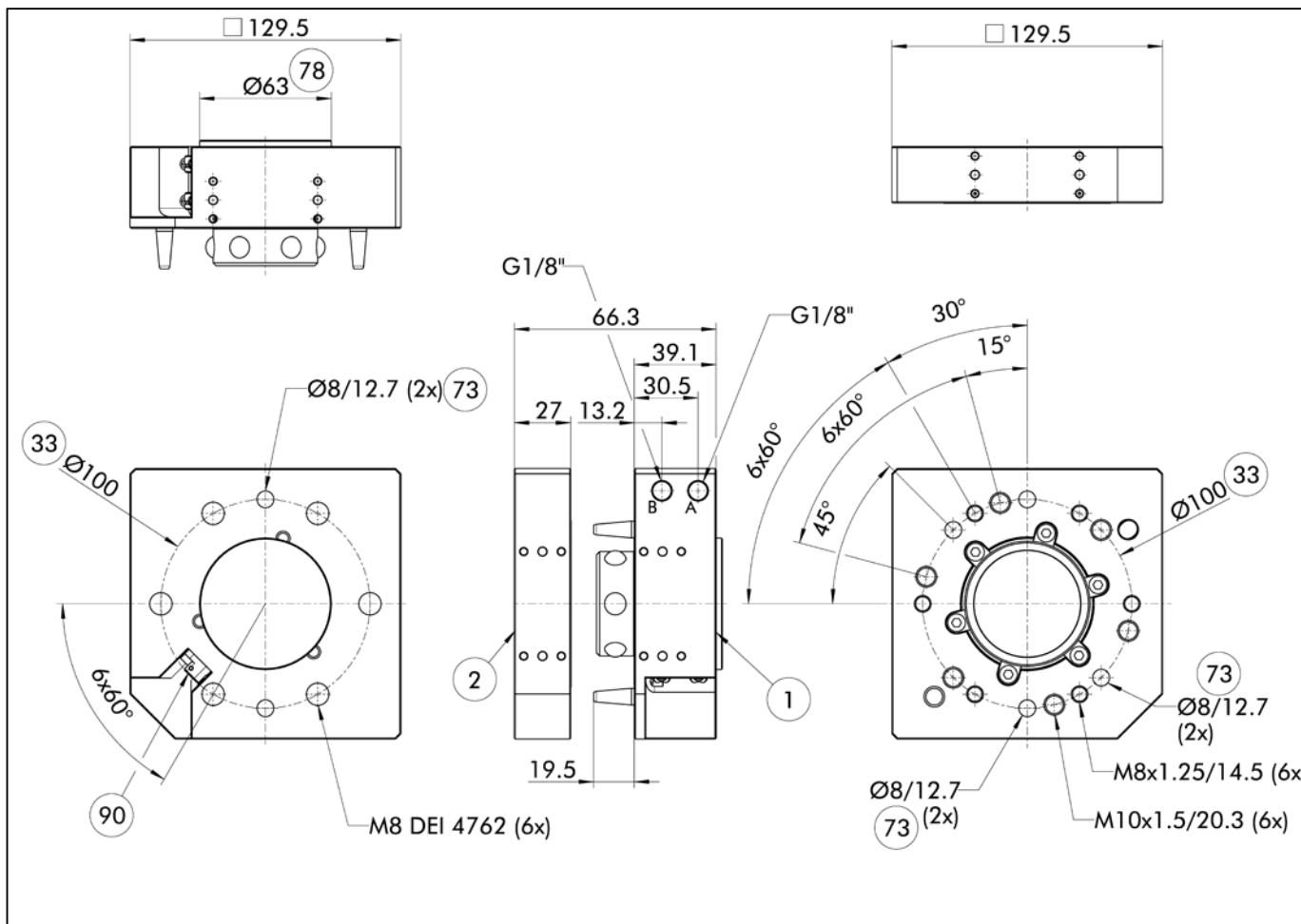
- Same locking mechanism as SWS-040Q but with four flats for mounting optional modules for media feed-through
- Internal piston control.
- Robot side connection mounts directly to ISO 9409-1-100-6-M8 mounting pattern.

Technical data

• Recommend handling weight	50 kg
• max. permissible moment Mx/My	678 Nm
• max. permissible moment MZ	882 Nm
• locking force	5800 N
• repeat accuracy	0,015 mm
• mass	approx. 2,98 kg
• max. locking distance	2,5 mm
• main connection lock / unlock	G 1/8"
• max. permissible XY offset	± 1,5 mm
• max. permissible angular offset	± 2°
• min./max. ambient temperature	5/60°C
• min./max. operation pressure	4,5/6,9 bar

Please contact us with your individual requirement.
You can reach the Robot Accessories Team at:

Robot Accessories Hotline +49-7133-103-2990
E-mail: roboterzubehoer@de.schunk.com



A, a Air connection locked

33 Bolt circle DIN -ISO-9409

B, b Air connection unlocked

73 Fit for centering pins

1 Robot-side connection

90 Sensor lock request

2 Tool-side connection



J. Lehmann

Jens Lehmann, deutsche Torwartlegende,
seit 2012 SCHUNK-Markenbotschafter
für sicheres, präzises Greifen und Halten.
schunk.com/Lehmann