



Superior Clamping and Gripping



Product Information

Reed Switches J02R

J02R

Reed Switches

Non-contact. Easy. Cost-effective.

Reed switch J02R

Reed switches are mechanical switches that react to the presence of magnetic fields (magnets). They are frequently used as a price-attractive alternative to electronic magnetic switches (MMS).

Field of application

Used in the monitoring of gripping modules in clean environments with lower requirements on load and service life as well as shorter system run times.

Advantages – Your benefits

Low-cost sensor system For cost-effective applications

Installation into the sensor groove for space-saving, easy, and fast assembly on the product

Version with LED display for control of the switching position directly at the sensor

Version with standard plug connector for fast and easy exchangeability of the extension cable

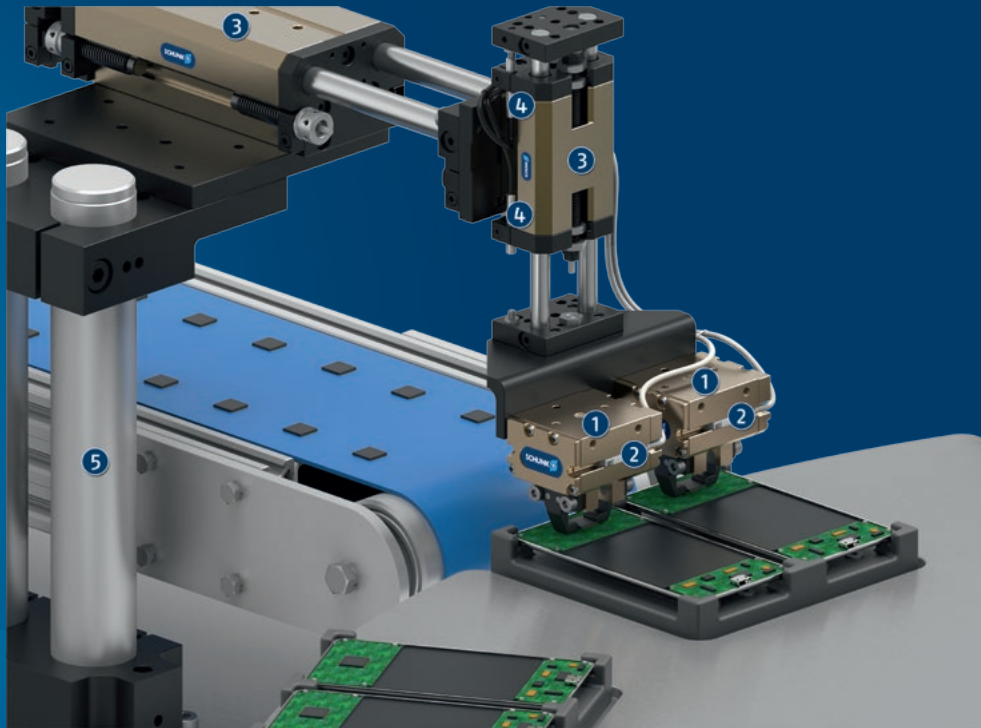


Options and special information

Versions with connector or cable end: The sensor is available in the versions with a plug connector (30 cm cable, M8 connector) or open cable outlet (2 m cable, open strands).

Sources of interference: Sensors can be influenced by other magnetic fields in the immediate vicinity. Disturbing magnetic fields can be generated by motors, electric welders, permanent magnets or magnetized material (so-called soft magnets) such as hexagon socket wrenches, chips, etc.

Application example



Pick & Place application for loading electronic components with sensor monitoring on the double gripper

- ① Gripper for small components MPC
- ② Reed switch J02R
- ③ KLM linear module
- ④ Inductive proximity switches IN
- ⑤ Pillar assembly system

SCHUNK offers more ...

The following components make the product J02R even more productive – the suitable addition for the highest functionality, flexibility, reliability, and controlled production.



Gripper for small components



Connection cables



Sensor distributor

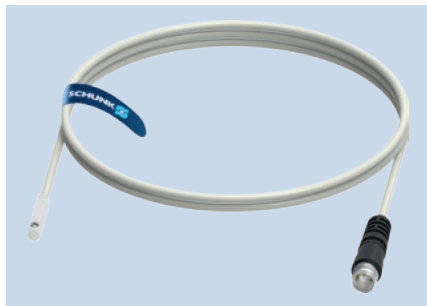


SST sensor tester

① For more information on these products can be found on the following product pages or at schunk.com. Please contact us: SCHUNK technical hotline +49-7133-103-2696

J02R J02R

Reed Switches

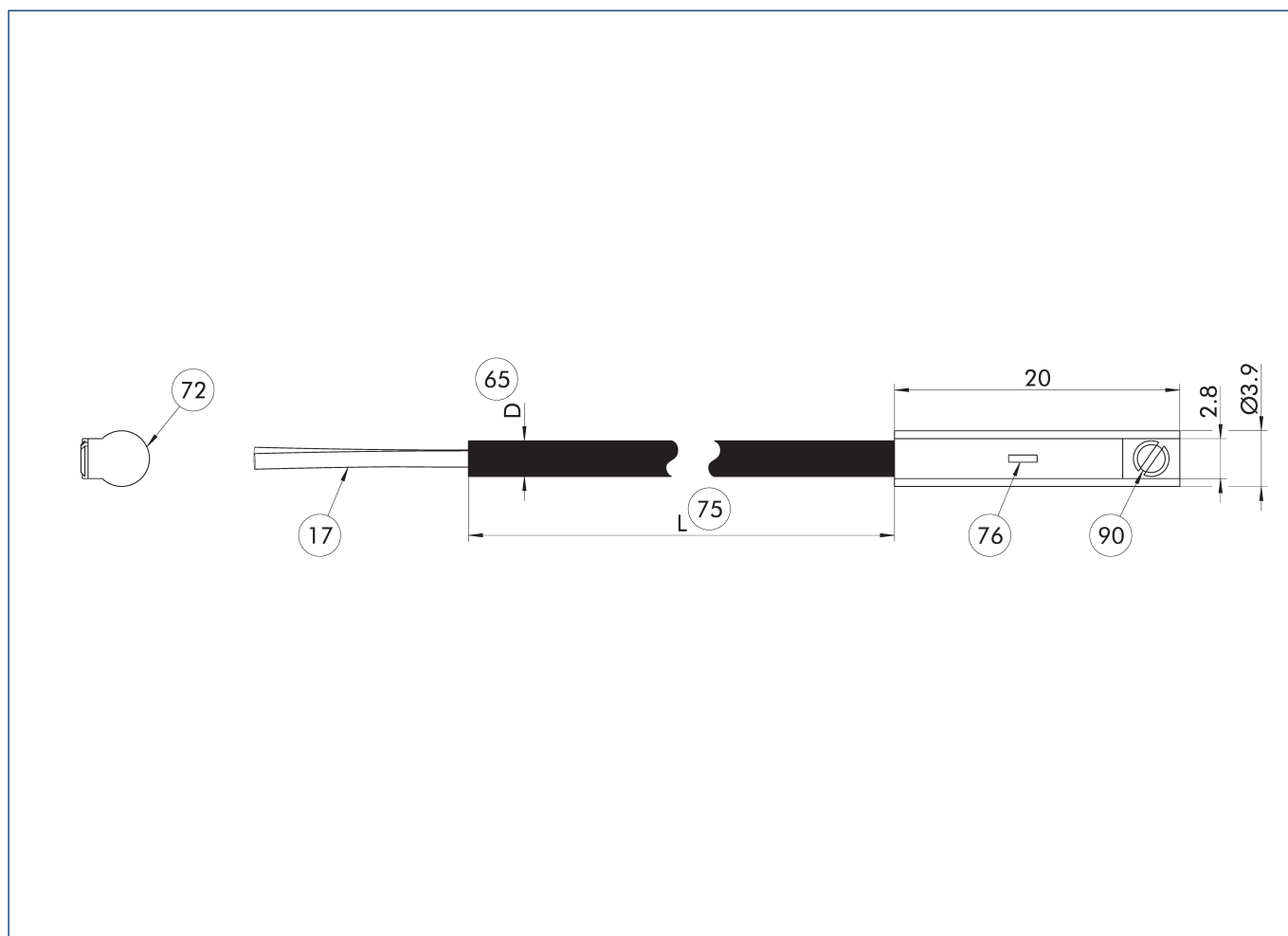


Technical data

Description		J02R-2M	J02R-Q8
ID		1353064	1353087
Principle of function			
Switching function		Closer	Closer
Number of switching points		1	1
Teach function		no	no
General data			
Max. switching frequency	[Hz]	3000	3000
Min./max. ambient temperature	[°C]	-25/70	-25/70
LED display in sensor		yes	yes
Electrical operating data			
Type of voltage		DC	DC
Nominal voltage	[V]	24	24
Min./max. operating voltage	[V]	10/28	10/28
Voltage drop	[V]	0.8	0.8
Max. switching current	[mA]	50	50
Short circuit protection		yes	yes
Protected against polarity reversal		yes	yes
Mechanical operating data			
Housing material		PA	PA
Cable connector/cable end		open wire strands	M8, 3-pin Male Connector
Cable length L	[cm]	200	30
Cable diameter D	[mm]	2.6	2.6
Cable design (wire cross section / number of wires)		2x 0,13 mm ²	2x 0,13 mm ²
Cable sheath material		PVC	PVC
Min. bending radius (static)	[mm]	26	26
Weight	[g]	22	7
Protection class IP (sensor, plugged)		67	67
Protection class		III	III

① The connection cable of the sensor may only be laid statically. A dynamic payload is not permitted.

J02x-2M - Main view



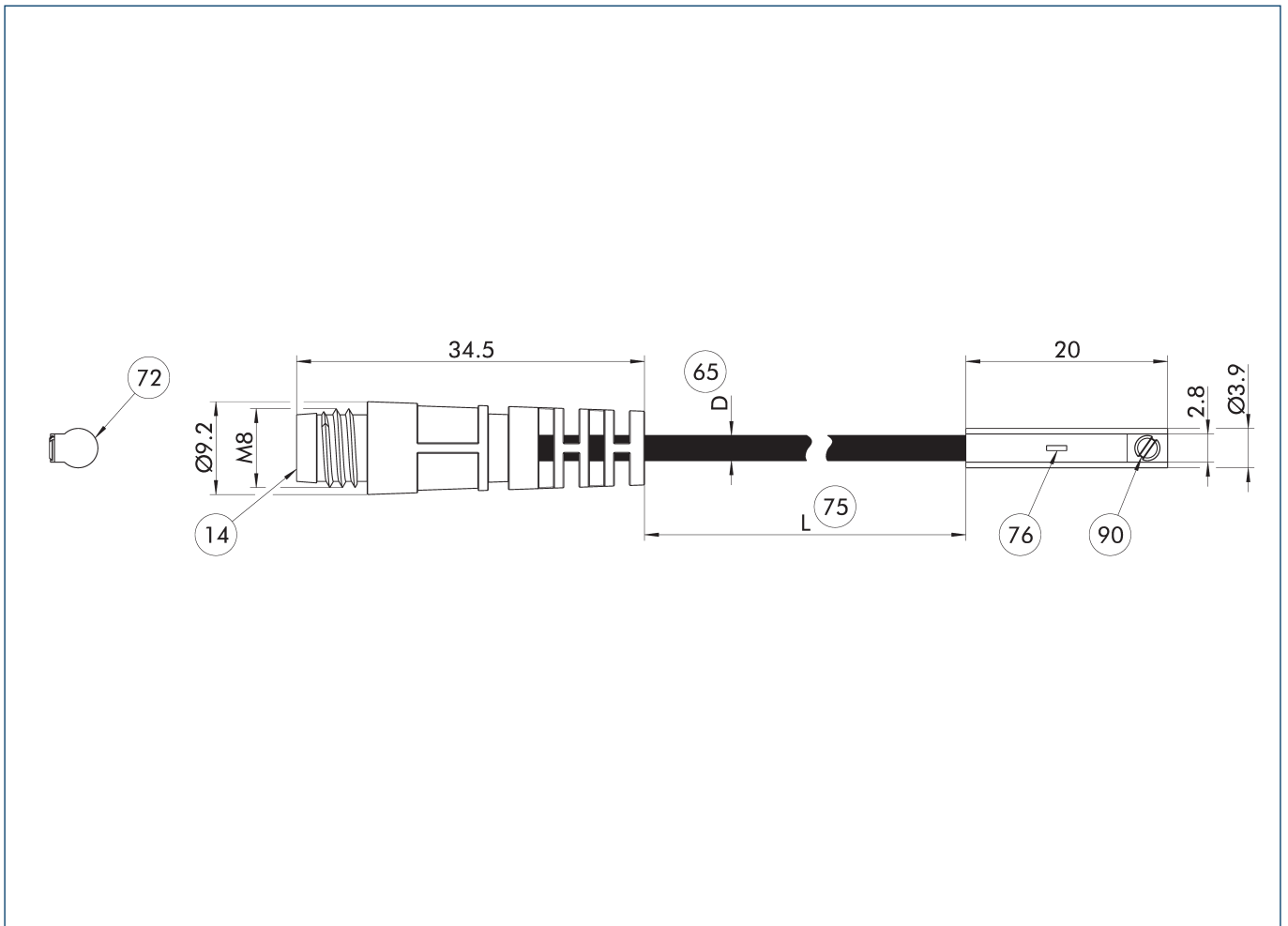
The drawing shows the sensor with a connection cable. For further information, including among other things details on cable diameter and cable length, see the technical data table.

- | | | | |
|----|-----------------------|----|-----------------|
| ①7 | Cable outlet | ⑦5 | Cable length |
| ⑥5 | Cable diameter | ⑦6 | LED |
| ⑦2 | Active sensor surface | ⑨0 | Fastening screw |

J02R J02R

Reed Switches

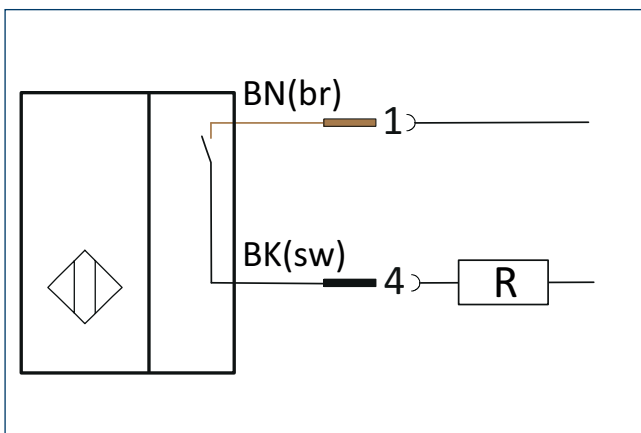
J02x-Q8 - Main view



The drawing shows the sensor with a connection cable and plug connector. For further information, for example on cable diameter and cable length, see the technical data table.

- | | |
|--------------------------|--------------------|
| ⑭ Connector | ⑦⑤ Cable length |
| ⑥⑤ Cable diameter | ⑦⑥ LED |
| ⑦② Active sensor surface | ⑨① Fastening screw |

Pin allocation



SCHUNK GmbH & Co. KG
Spann- und Greiftechnik

Bahnhofstr. 106 - 134
D-74348 Lauffen/Neckar
Tel. +49-7133-103-0
Fax +49-7133-103-2239
info@de.schunk.com
www.schunk.com

Folgen Sie uns



J. Lehmann

Jens Lehmann, German goalkeeper legend, SCHUNK brand ambassador since 2012 for safe, precise gripping and holding.
schunk.com/Lehmann