



Superior Clamping and Gripping



SCHUNK Tool Cart

Up to 156 storage locations available

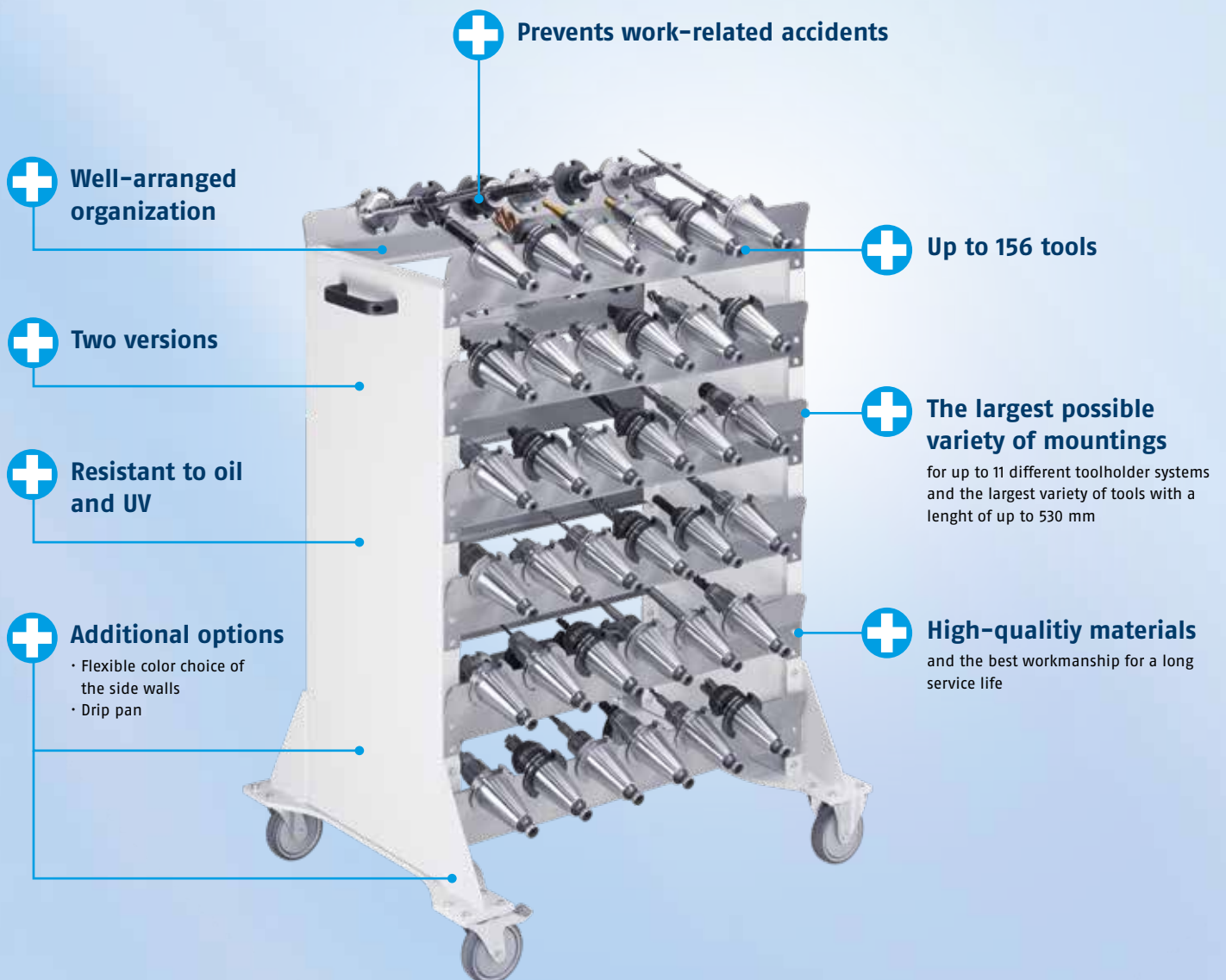
SCHUNK Tool Cart

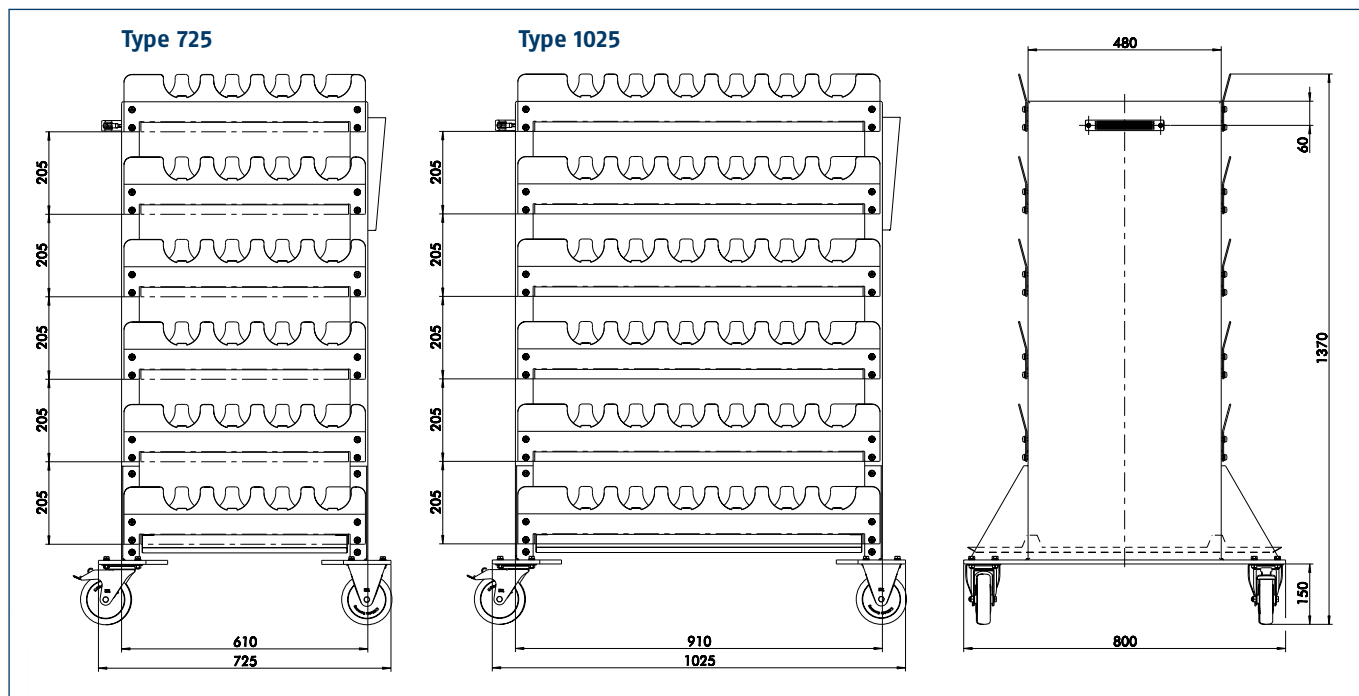
Maximal clarity with minimal space requirements

Where put tools when they aren't currently being used?

The SCHUNK tool cart redefines tool organization and allows for fast availability, directly at the machine. In comparison to conventional solutions, the SCHUNK tool cart offers a large number of available storage locations for different tools and also helps to prevent accidents.

Benefit from the unbeatable characteristics and opportunities offered by the SCHUNK tool cart.





Technical Data

Cart 725										
Tool spaces	24 Tools ID	30 Tools ID	32 Tools ID	36 Tools ID	40 Tools ID	48 Tools ID	60 Tools ID	64 Tools ID	72 Tools ID	96 Tools ID
BT 30						1154313		1154314		1154315
BT 40				1154289		1154291			1154292	
BT 50	1154303		1154304			1154305				
SK 40/ CAT 40				1154279		1154281			1154283	
SK 50/ CAT 50	1154299		1154300			1154301				
CAPTO C6				1154285		1154286			1154287	
HSK A 40						1154309		1154310		1154311
HSK A 63				1154274		1154275			1154276	
HSK A 80		1341137			1341138		1341139			
HSK A 100	1154295		1154296			1154297				

Cart 1025					
Tool spaces	72 Tools ID	96 Tools ID	120 Tools ID	144 Tools ID	156 Tools ID
BT 30				1154316	
BT 40			1154293		
BT 50	1154306				
SK 40/ CAT 40			1154284		
SK 50/ CAT 50	1154302				
CAPTO C6			1154288		
HSK A 40					1154312
HSK A 63			1154277		
HSK A 80		1341140			
HSK A 100	1154298				

Option Drip pan	
Cart 725 ID	Cart 1025 ID
1154357	1154358

VERO-S Setup Cart.

The rollable Organizer for all Products in the VERO-S Modular System.

Everything at arm's reach

All modules and accessories are carefully stored in the VERO-S setup cart and can still be accessed when needed. This eliminates time wasted looking for parts, saves long, unnecessary trips, and speeds up the set-up process at the machine.

Total load up to **1,120 kg**

- ✓ Payload of upper storage rack **400 kg**
- ✓ **Four** drawers each designed for loads of up to **180 kg**
- ✓ **Individual** configuration possible
- ✓ Clamping pin mount (plastic) for **SPx 20** and **SPx 40**
- ✓ **Pull-out safety device** for each drawer
- ✓ Drawers that can be **fully opened**
- ✓ Dimensions smaller than EPAL euro-pallets; **storage in high-rise racks** therefore also possible
- ✓ **Removable** rack inserts in every drawer



J. Lehmann

Jens Lehmann, deutsche Torwartlegende,
seit 2012 SCHUNK-Markenbotschafter
für sicheres, präzises Greifen und Halten.
schunk.com/lehmann

Heinz-Dieter SCHUNK GmbH & Co.
Spanntechnik KG

Lothringer Str. 23
D-88512 Mengen
Tel. +49-7572-7614-1301
Fax +49-7572-7614-1039
spannsysteme@de.schunk.com

schunk.com

Folgen Sie uns



Reg. No. 003496 QM08

