

## Co-act EGP-C for Hanwha HCR-5/ HCR-12

Gripping unit suitable for collaborating robots with the specific connection to the Hanwha HCR-5/ HCR-12

### Your advantages and benefits

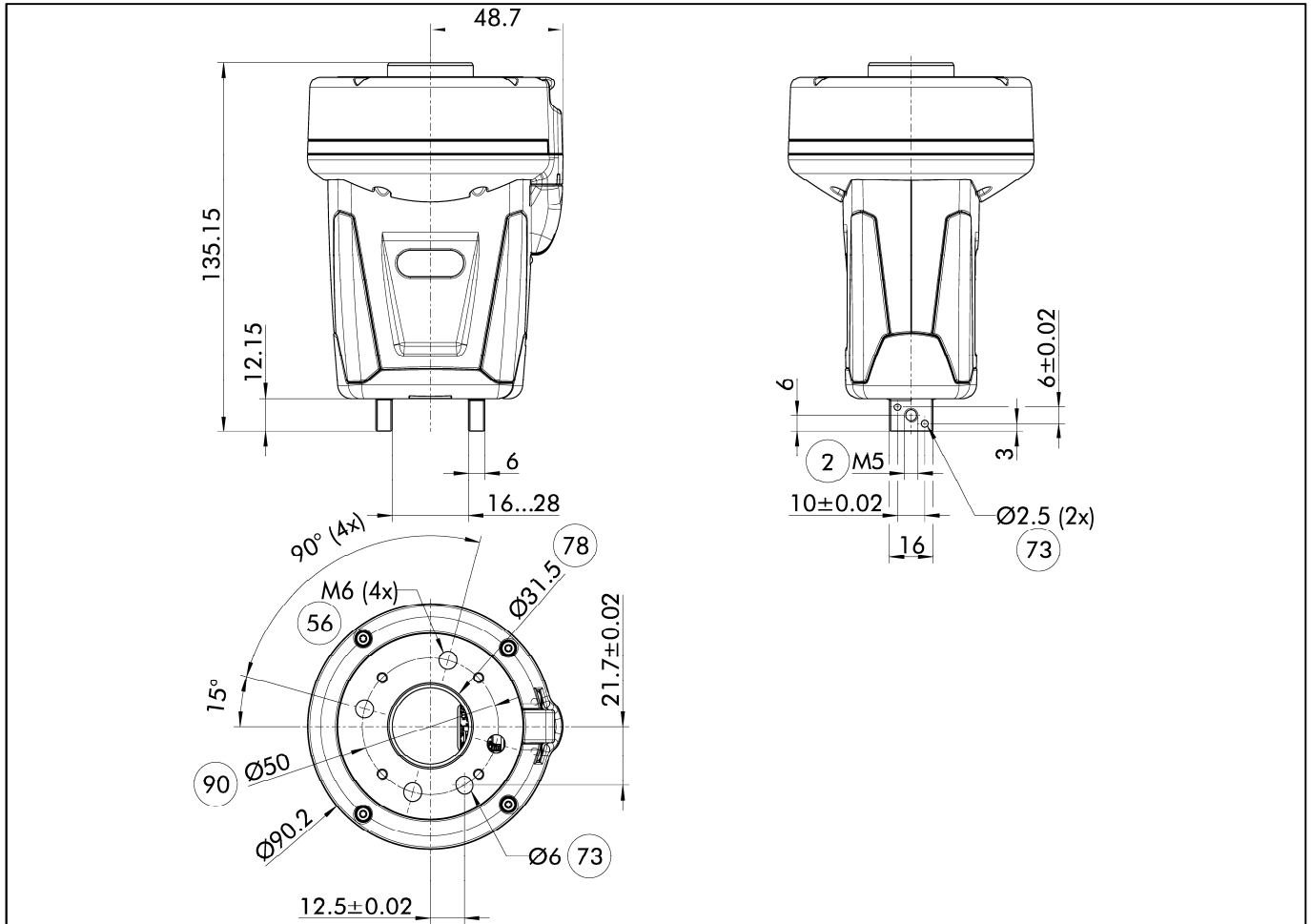
- Gripping unit for collaborative robot
- Certified gripping unit saves effort for safety assessment of the application
- Plug & Work with Hanwha HCR-5/ HCR-12
- Control via digital I/O

### Technical data

• ID	1362939
• Size	40
• Stroke per jaw	6 mm
• min. / max. gripping force	35 / 140 N
• max. admissible finger length	50 mm
• Weight	0,70 kg
• Mechanical interface	EN ISO-9409-1-50-4-M6
• Nominal voltage	24 V DC
• Electrical interface	Plug M12, 12 pin. (switching principle PNP for Input and NPN for Output)
• Sensors	Inductive proximity switches

Please contact us with your individual requirement.  
You can reach the Co-act Team at:

Co-act Team Hotline +49-7133-103-3444  
E-mail: [Co-act-team@de.schunk.com](mailto:Co-act-team@de.schunk.com)



- 2 Finger connection
- 78 Fit for centering
- 56 Included in the scope of delivery
- 90 Bolt circle DIN-ISO-9409
- 73 Fit for centering pins



*J. Lehmann*

Jens Lehmann, deutsche Torwartlegende,  
seit 2012 SCHUNK-Markenbotschafter  
für sicheres, präzises Greifen und Halten.  
[schunk.com/Lehmann](http://schunk.com/Lehmann)

SCHUNK GmbH & Co. KG  
Spann- und Greiftechnik

Bahnhofstr. 106 - 134  
D-74348 Lauffen/Neckar  
Tel. +49-7133-103-0  
Fax +49-7133-103-2399  
[info@de.schunk.com](mailto:info@de.schunk.com)

[schunk.com](http://schunk.com)  
[youtube.com/schunkhq](https://www.youtube.com/schunkhq)  
[twitter.com/schunk\\_hq](https://twitter.com/schunk_hq)  
[facebook.com/schunk.hq](https://www.facebook.com/schunk.hq)  
[schunk.com/lehmann](https://www.schunk.com/lehmann)



Reg. No. 003496 QM08