



Co-act EGP-C for Techman Robot TM5/ TM12/ TM14

Gripping unit suitable for collaborating robots with the specific connection to the Techman Robot TM5/ TM12/ TM14

Your advantages and benefits

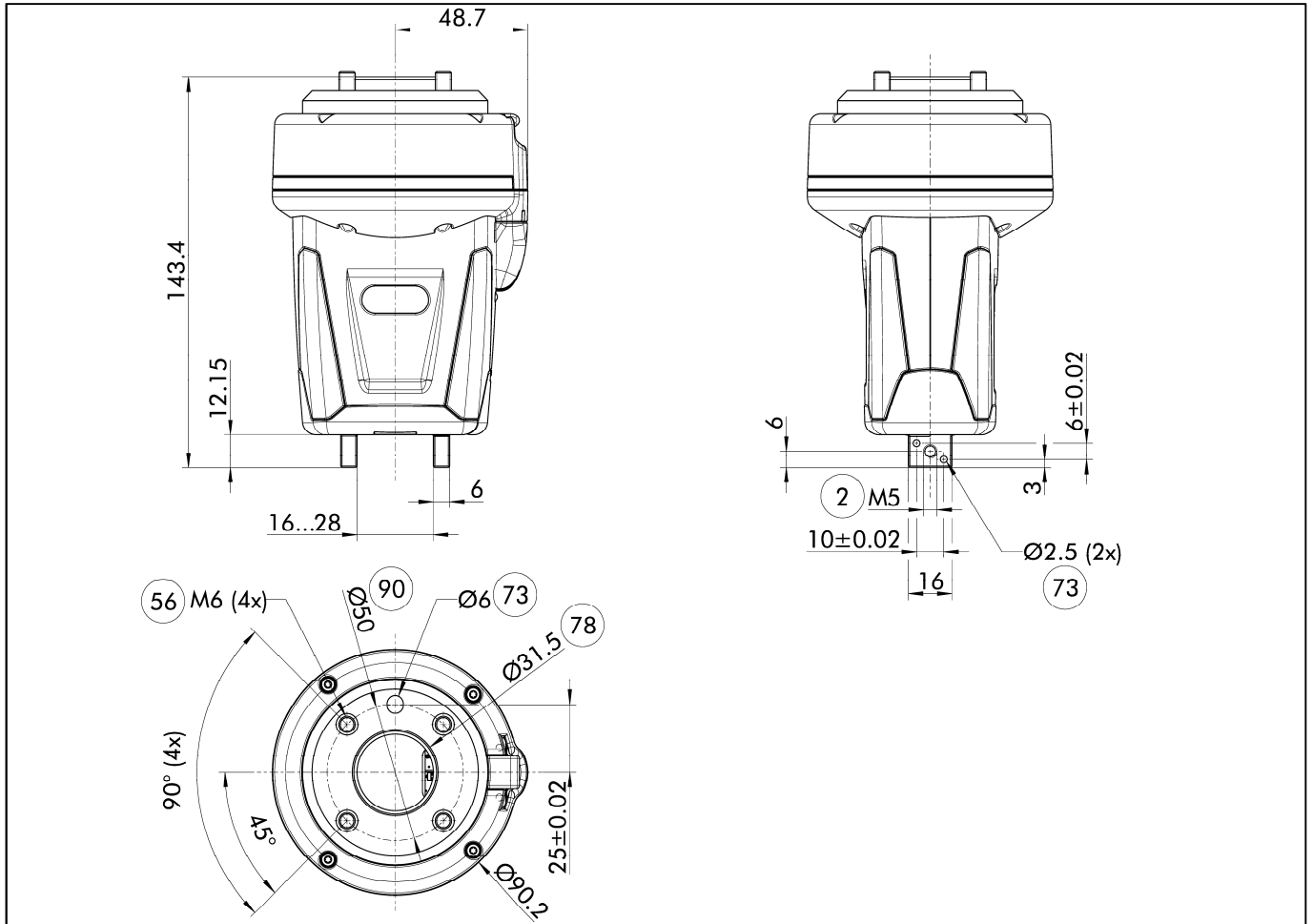
- Gripping unit for collaborative robot
- Certified gripping unit saves effort for safety assessment of the application
- Plug & Work with Techman Robot TM5/ TM12/ TM14
- Control via digital I/O

Technical data

• ID	1375931
• Size	40
• Stroke per jaw	6 mm
• min. / max. gripping force	35 / 140 N
• max. admissible finger length	50 mm
• Weight	0,9 kg
• Mechanical interface	EN ISO-9409-1-50-4-M6
• Nominal voltage	24 V DC
• Electrical interface	open wires
• Sensors	Inductive proximity switches

Please contact us with your individual requirement.
You can reach the Co-act Team at:

Co-act Team Hotline +49-7133-103-3444
E-mail: Co-act-team@de.schunk.com



- 2 Finger connection
- 56 Included in the scope of delivery
- 73 Fit for centering pins
- 78 Fit for centering
- 90 Bolt circle DIN-ISO-9409



J. Lehmann

Jens Lehmann, deutsche Torwartlegende,
seit 2012 SCHUNK-Markenbotschafter
für sicheres, präzises Greifen und Halten.
schunk.com/Lehmann